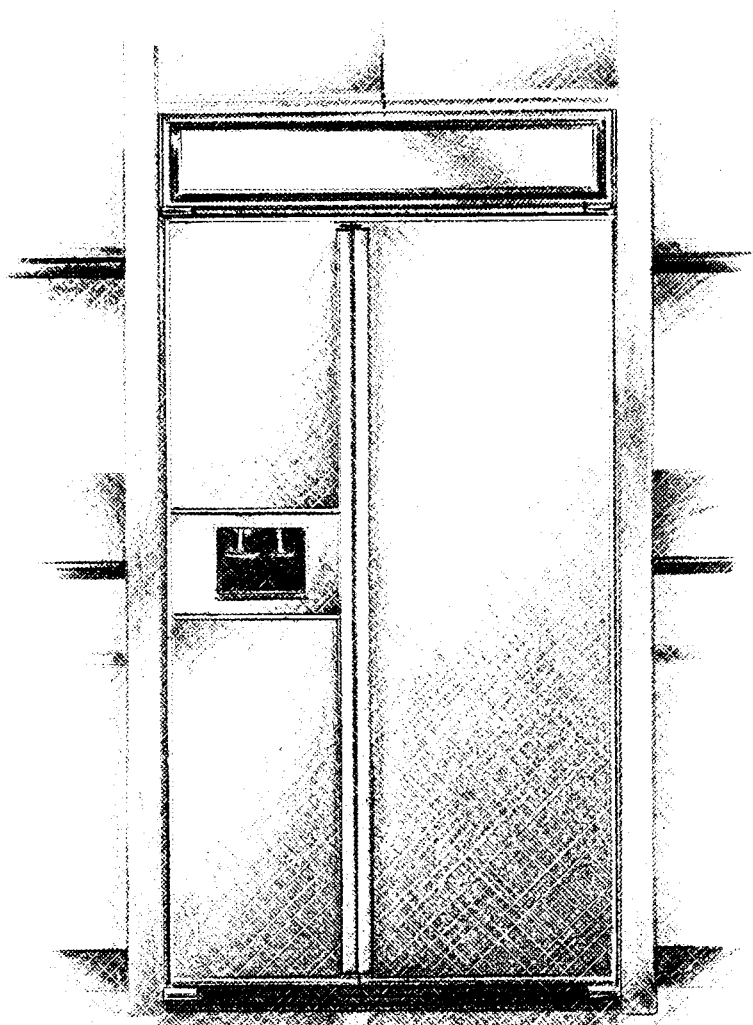


KitchenAid™

*36" Built-in
Refrigerator-Freezer*

Model 4KSRF36DT



USE and CARE GUIDE

Table of Contents

	Page
You Are Responsible For	3
Important Safety Instructions	3
Ownership Registration	4
Built-in Refrigerator-Freezer Features	5
Using the Refrigerator-Freezer	6-16
Temperature Controls	6
Winter Chill Meat Locker Control	6
Utility Compartment	7
Door Bins	7
Refrigerator Shelves	7
Winter Chill Meat Locker	8
Humidity Controlled Clear Vue Utility Drawer/Crisper	9
Freezer Shelves	10
Freezer Baskets	10
Upper Ventilation Panel	11
Power On/Off Switch	11
Base Grille	12
Defrost Pan	12
Ice Maker	13
Ice Maker Storage Bin	13
Cold Water and Ice Dispenser	14
Dispenser Operating Tips	15
Sounds You May Hear	16
To Save Energy	16
Food Storage Guide	17-18
Changing the Light Bulbs	19
Cleaning the Refrigerator-Freezer	20
Vacation and Moving Care	21
If You Need Service or Assistance	22
KitchenAid Warranty	Back Cover

© 1988 KitchenAid, Inc.

You Are Responsible For

- Having the refrigerator properly installed.
- Reading and following all safety precautions in this Use and Care Guide.
- Using the refrigerator only for jobs expected of a home refrigerator.
- Properly maintaining the refrigerator.
- Cleaning the refrigerator by following the instructions on page 20 before using it.
- Making sure the refrigerator has had time to get properly cold before loading with food.

Important Safety Instructions

Child entrapment and suffocation are not problems of the past. Abandoned refrigerators are still dangerous ... even if they will "just sit in the garage for a few days." If you are getting rid of your old refrigerator, do it safely. Please read the enclosed safety pamphlet, "STOP! Help save a Child's Life," from the Association of Home Appliance Manufacturers. Help prevent accidents.

Ownership Registration

Please fill out and mail your Ownership Registration Card packed with the Use and Care Guide. This card will enable us to contact you in the unlikely event of a product safety notification and assist us in complying with the provisions of the Consumer Product Safety Act. **Return of this card is not necessary to validate your warranty.** You must provide proof of purchase or installation date for in-warranty service. Write down the following information. You will need it if your refrigerator ever requires service.

Model Number* _____

Serial Number* _____

Date Purchased _____

Date Installed _____

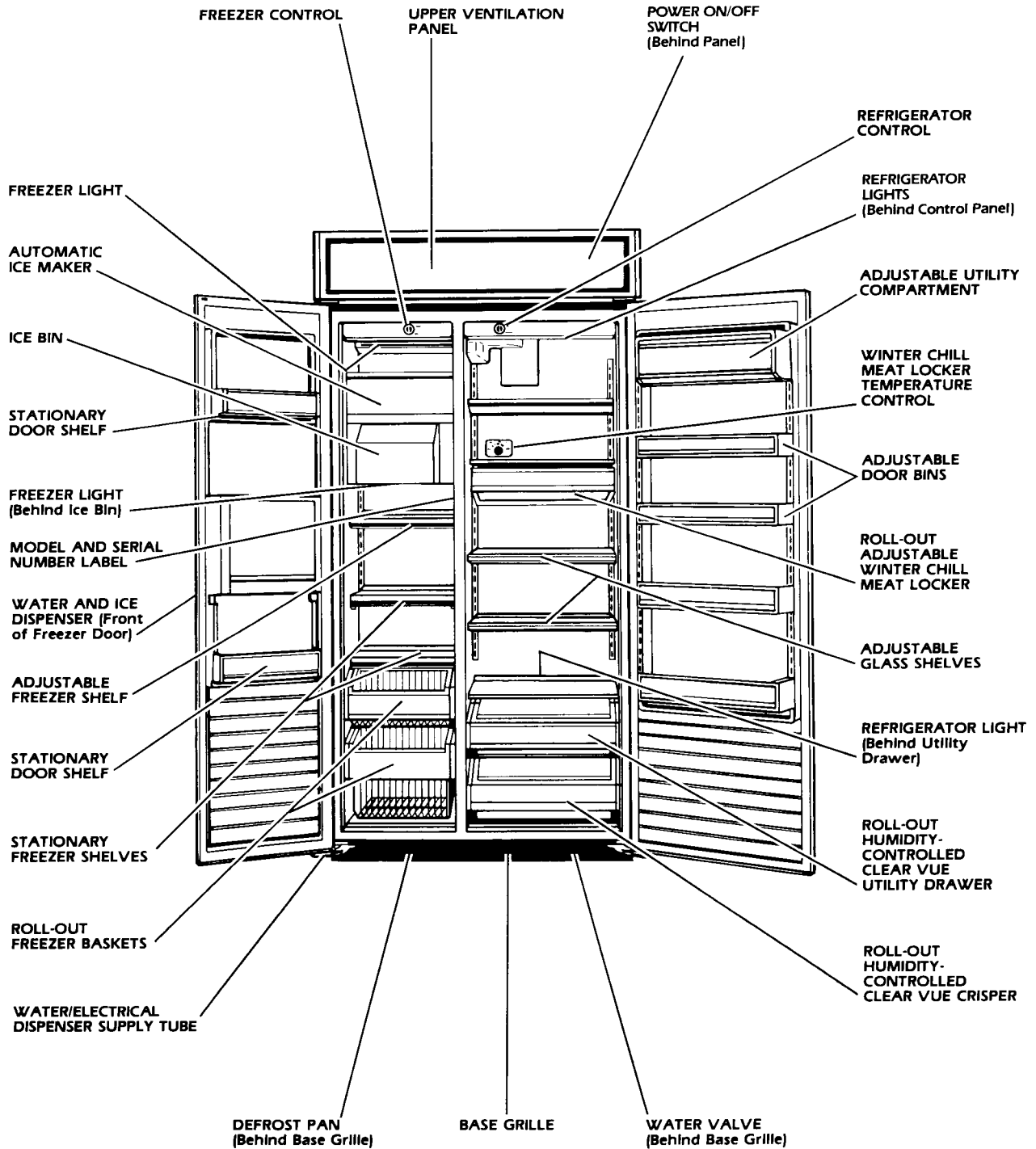
Builder's or Dealer's Name _____

Address _____

Phone _____

*Model and serial numbers are located on a label on the right inside wall of the freezer section beneath the ice bin.

Built-In Refrigerator-Freezer Features



Using the Refrigerator-Freezer

Temperature Controls

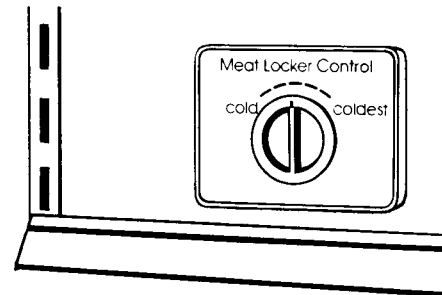
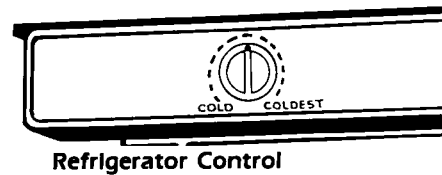


The Refrigerator and the Freezer Controls have been preset at the factory. These settings should be correct for normal household refrigerator use. Allow the refrigerator to reach the preset temperature (approximately 24 hours) before changing the setting.

To change the temperature setting, follow the two steps given below.

1. Adjust the Refrigerator and/or Freezer Control. To make the refrigerator or freezer colder, turn the control(s) clockwise. To make the refrigerator or freezer less cold, turn the control(s) counterclockwise.
2. Wait at least 24 hours before making further adjustments. This gives the refrigerator and/or freezer time to reach the set temperature.

To turn the refrigerator-freezer off, turn the Freezer Control to the OFF position.

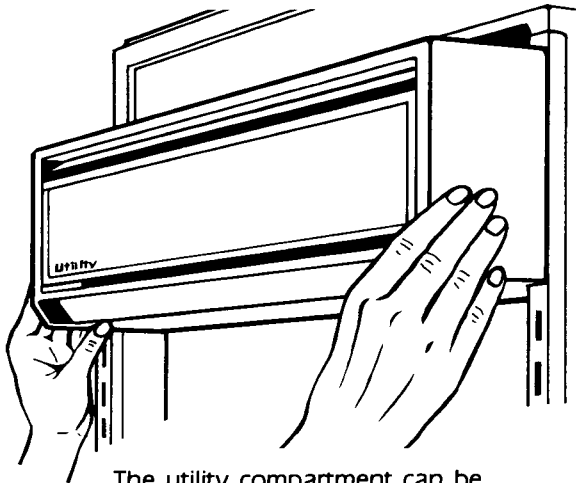


Winter Chill Meat Locker Temperature Control

The Winter Chill Meat Locker Temperature Control allows you to adjust the Winter Chill Meat Locker storage temperature.

Cold air flows into the Winter Chill Meat Locker through an air duct from the freezer to the refrigerator. Setting the control lets more or less cold air through the opening. See page 8 for more information on the Winter Chill Meat Locker.

Utility Compartment



The utility compartment can be placed in any position on the refrigerator door.

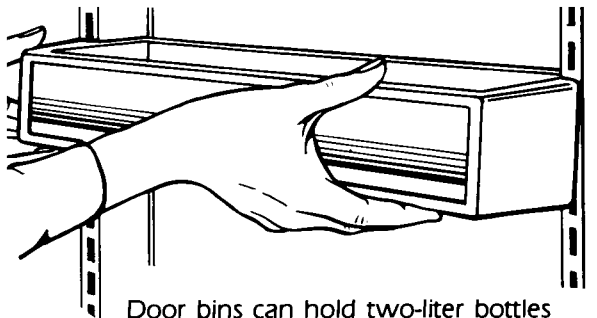
TO REMOVE:

Grasp both ends of compartment, lift up and pull out.

TO REPLACE:

1. Insert compartment hooks into ladder slots on both sides.
2. Push down to lock in place.

Door Bins



Door bins can hold two-liter bottles and can be placed in any position on the refrigerator door.

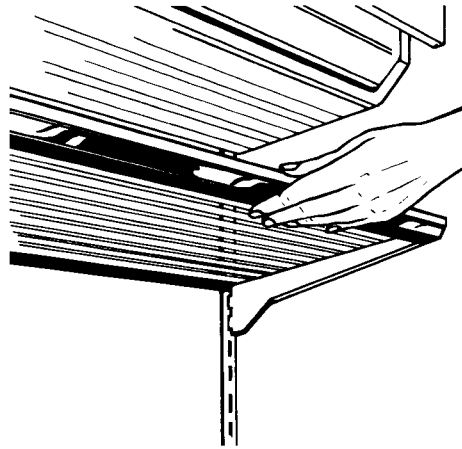
TO REMOVE:

Lift up and pull out.

TO REPLACE:

1. Insert bin hooks into ladder slots on both sides.
2. Push down to lock in place.

Refrigerator Shelves



Shelves can be adjusted to match the way you use your refrigerator.

TO REMOVE:

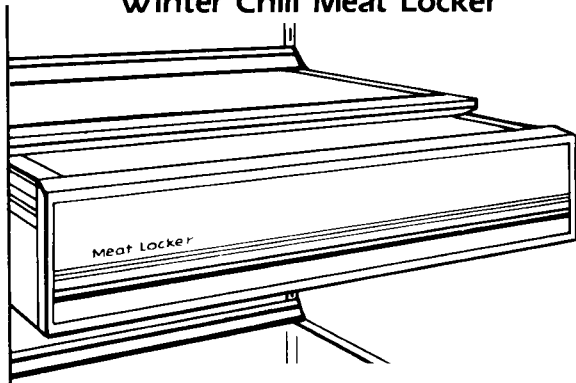
1. Tilt up at front.
2. Lift up at back.
3. Pull shelf straight out.

IMPORTANT: Glass shelves are heavy. Handle with care.

TO REPLACE:

1. Guide the rear hooks into the ladder slots.
2. Tilt up front of shelf until hooks drop into slots. Lower front of shelf to level position. Check the stability of the shelf to be sure hooks have been properly inserted.

Winter Chill Meat Locker



The Winter Chill Meat Locker was designed to provide colder storage temperatures than the average refrigerator temperature. The Meat Locker/housing can be located in any set of ladder slots. For temperature controlled use, however, the Meat Locker and housing must be located in one of the six sets of ladder slots starting just below the Winter Chill Meat Locker Temperature Control.

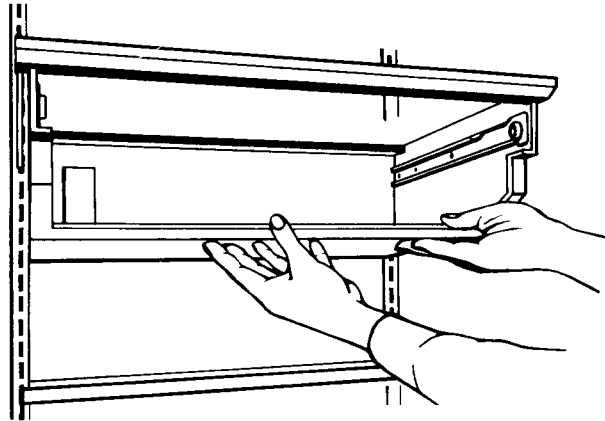
The Winter Chill Meat Locker/housing can be removed for cleaning.

TO REMOVE MEAT LOCKER:

1. Roll out Meat Locker to stop.
2. Lift front of Meat Locker slightly.
3. Pull locker out the rest of the way.

TO REPLACE:

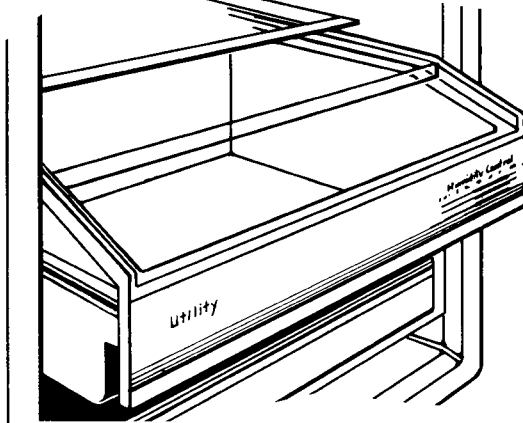
Replace in reverse order.



TO REMOVE OR RELOCATE MEAT LOCKER HOUSING:

1. Remove the housing in the same manner as a glass shelf.
2. Adjust chilled air supply holes:
 - A. If the housing is placed in one of the first three sets of slots below the control, put the plastic plug in the lower air supply hole. Leave the upper air supply hole open.
 - B. If the housing is placed in the fourth, fifth or sixth set of slots below the control, put the plastic plug in the upper air supply hole. Leave the lower air supply hole open.
 - C. If the housing is placed in any other set of slots, plug both the upper and lower air supply holes. A second plug has been taped to the inside bottom of the Meat Locker for this purpose.
3. Replace the housing in the same manner as a glass shelf.

Humidity-Controlled Clear Vue Utility Drawer/Crisper



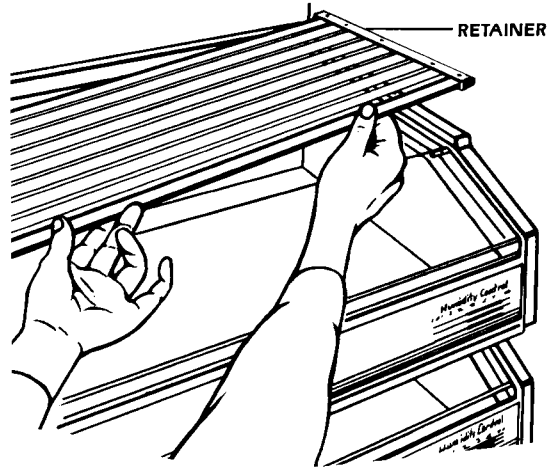
The humidity controls give you the ability to change the amount of moisture in the drawer/crisper according to what foods you store in them. See the Food Storage Guide on page 17 to determine which humidity setting to use. Move the lever to the right for higher humidity or to the left for lower humidity. The humidity-controlled utility drawer and the crisper are interchangeable. The Clear Vue Section allows you to see into the drawer/crisper without opening them.

TO REMOVE UTILITY DRAWER/CRISPER:

1. Roll out to stop.
2. Lift front and pull out the rest of the way.

TO REPLACE:

Replace in reverse order.

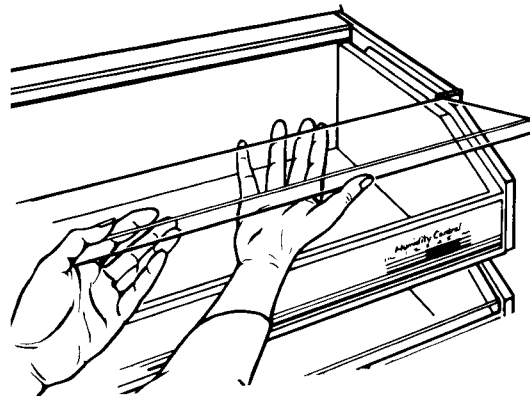


TO REMOVE GLASS COVERS:

1. Lift right side of glass cover to free retainer and left side of cover.
2. Carefully remove glass cover.

TO REPLACE:

1. Place retainer on right side of glass cover.
2. Insert left side of glass cover into groove.
3. Lower cover so that retainer pins are in the guide holes.



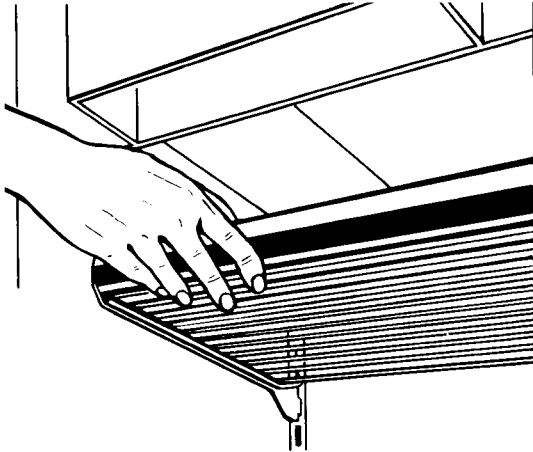
TO REMOVE CLEAR VUE SECTION:

1. Remove glass cover. (See above.)
2. Lift off Clear Vue section.

TO REPLACE:

Replace in reverse order.

Freezer Shelves

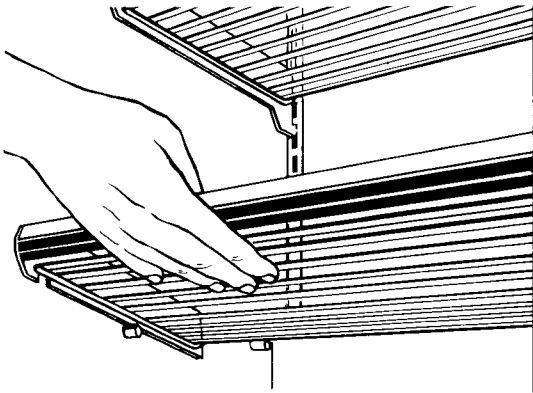


TO REMOVE LADDER-MOUNTED SHELF:

1. Tilt up at front.
2. Lift up at back.
3. Pull shelf straight out.

TO REPLACE:

1. Guide the rear hooks into the ladder slots.
2. Tilt up front of shelf until hooks drop into slots.
3. Lower front of shelf to level position.



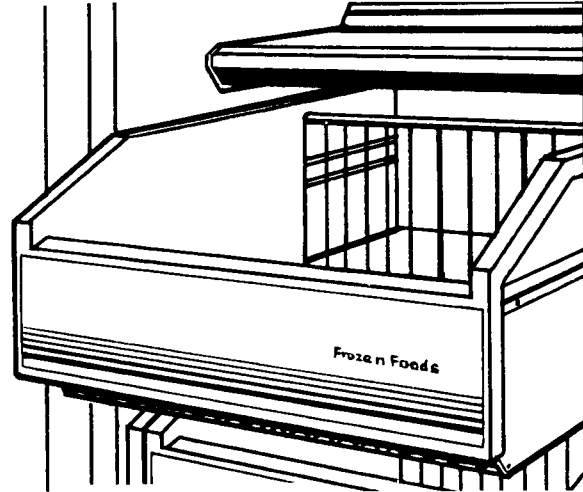
TO REMOVE STUD-MOUNTED SHELF:

1. Lift up shelf.
2. Pull straight out.

TO REPLACE:

Replace in reverse order.

Freezer Baskets



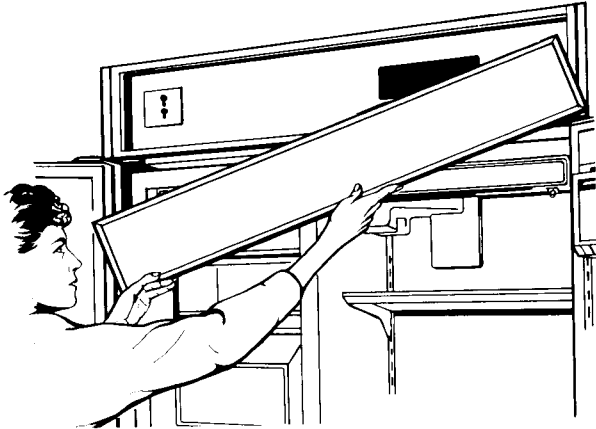
TO REMOVE:

1. Roll out basket to stop.
2. Lift front and roll out the rest of the way.

TO REPLACE:

1. Place basket roller in shelf tracks.
2. Lift front of basket to clear the stops.
3. Roll basket in.

Upper Ventilation Panel



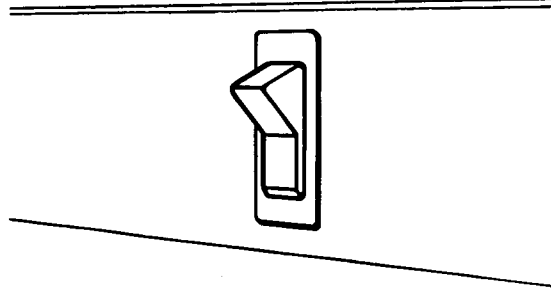
TO REMOVE:

1. Grasp both ends of the panel.
2. Push straight up, then pull straight out.

TO REPLACE:

1. Insert screw heads on the back side of upper ventilation panel into the large part of the keyhole openings.
2. Pull panel down slightly to lock into place.

Power On/Off Switch (Power Interrupter Switch)



The power on/off switch is located behind the upper ventilation panel. It is used to turn the power to the refrigerator-freezer off when cleaning or changing light bulbs.

TO TURN POWER OFF:

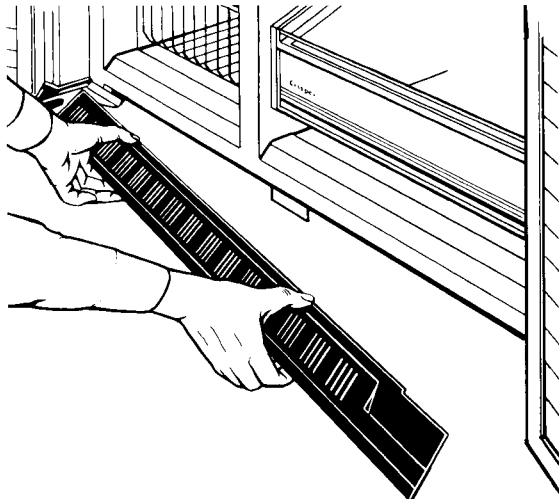
1. Remove upper ventilation panel.
2. Press power on/off switch to OFF position.

TO TURN POWER ON:

1. Press power on/off switch to ON position.
2. Replace upper ventilation panel.

IMPORTANT: Be sure power on/off switch is in the ON position after cleaning or changing light bulbs.

Base Grille



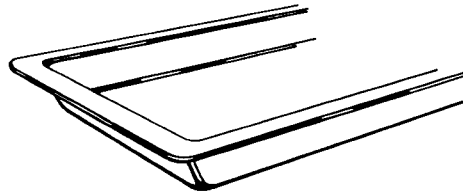
TO REMOVE BASE GRILLE:

1. Remove one screw at each end of the grille.
2. Remove base grille.

TO REPLACE BASE GRILLE:

Replace in reverse order.

Defrost Pan



The defrost pan is located behind the base grille toward the left side of the refrigerator-freezer.

WARNING: Refrigeration system tubes are located above the defrost pan and may be quite warm at times. Remove defrost pan carefully.

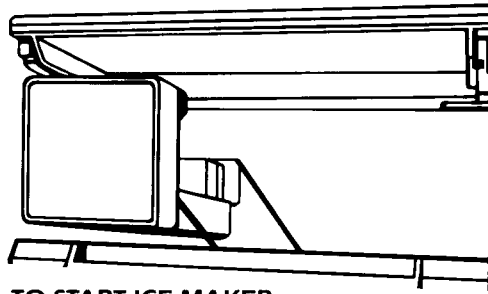
TO REMOVE DEFROST PAN:

1. Press power on/off switch to OFF position. (See page 11 for instructions.)
 2. Remove base grille. (See above.)
- CAUTION: Water valve is located behind base grille toward right side of refrigerator. Do not disturb the water line connections or a leak could occur.**
3. Push pan toward the back of the refrigerator and pull down to free the front lip of the pan from two retaining clips.
 4. Carefully pull pan forward to remove.
 5. Clean the pan. (See page 20 for instructions.)

TO REPLACE DEFROST PAN:

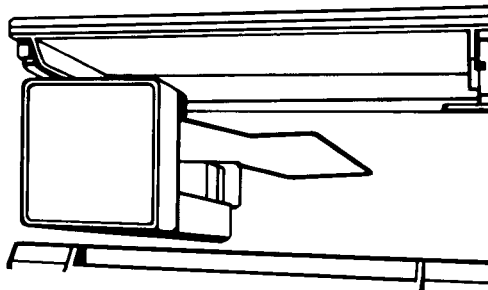
1. Push pan in all the way.
2. Lift up front and snap into place.
3. Replace base grille.
4. Return power on/off switch to ON position.

Ice Maker



TO START ICE MAKER:

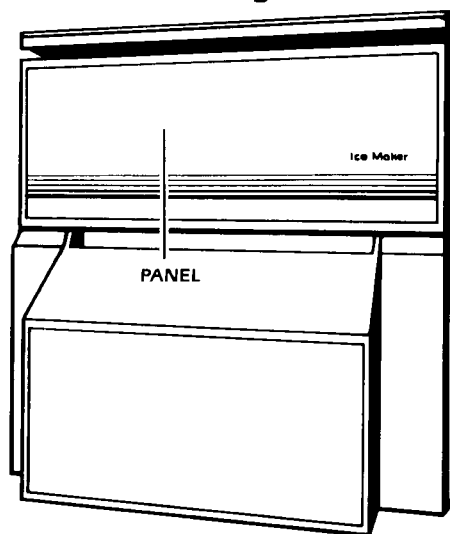
Push the ice maker signal arm down to the ON position.



TO STOP ICE MAKER:

Lift the ice maker signal arm until you feel it click into the OFF position.

Ice Maker Storage Bin



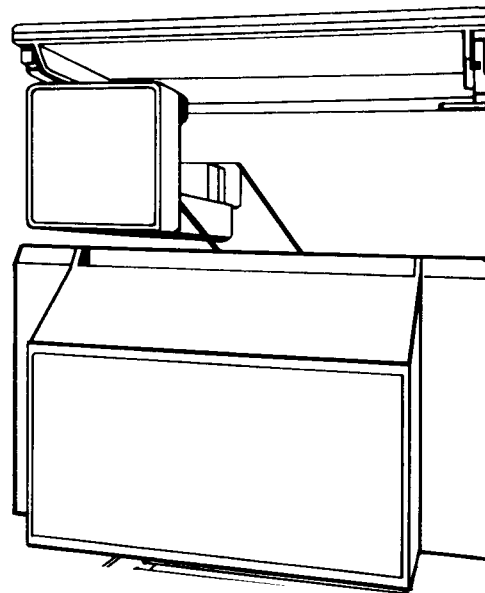
The ice maker storage bin can hold up to 8.5 pounds of ice. Remove unused ice periodically to reduce the potential for off-taste or odor build-up in ice.

IMPORTANT: The first few batches of ice from the ice maker may have an off-taste. This is from new plumbing and parts, and the ice should be thrown away.

TO REMOVE STORAGE BIN:

The storage bin can be removed to dispense large quantities of ice or for cleaning.

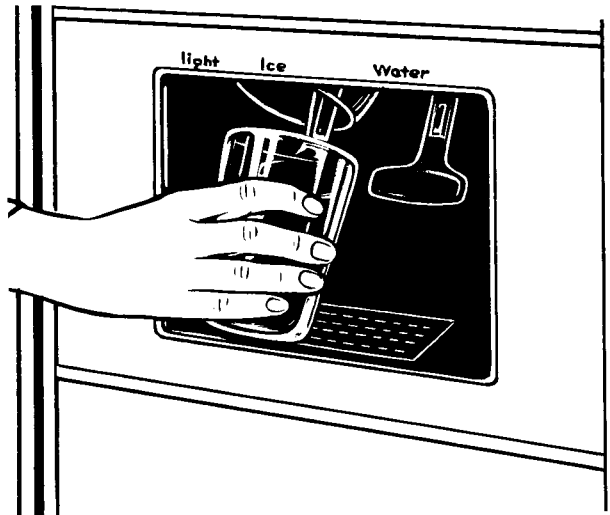
1. Pull the covering panel out from the bottom and slide it to the rear.
2. Lift the ice maker signal arm until you feel it click into the OFF position. Ice can still be dispensed when the freezer door is closed, but no more can be made.
3. Lift the front of the storage bin, then pull it out.
4. Empty the bin. Use hot or warm water to melt the ice if necessary. Never use anything sharp to break up ice in the bin. This can damage the bin and dispenser mechanism.
5. Wash with mild detergent. Rinse well. Do not use harsh or abrasive cleaners or solvents.



TO REPLACE STORAGE BIN:

1. Make sure bin is pushed in all the way.
2. Push the ice maker signal arm down to the ON position to restart ice production.

Cold Water and Ice Dispenser

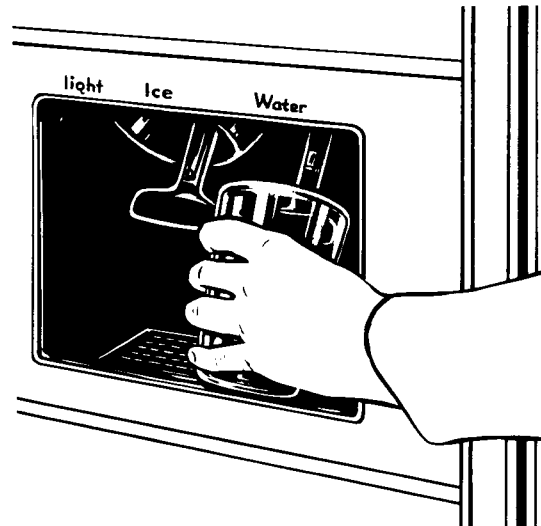


TO DISPENSE ICE:

Press a sturdy glass against the ice dispenser bar. Remove the glass to stop dispensing.

CAUTION: Pressure and the tumbling of the ice into the glass can break a fragile glass.

Ice is dispensed from the ice maker storage bin in the freezer. When the dispenser bar is pressed, a trap door opens in a chute between the dispenser and the ice bin. Ice is moved from the bin and falls through the chute. When the dispenser bar is released, a faint buzzing sound may be heard for a few seconds.



TO DISPENSE CHILLED WATER:

Press a sturdy glass against the water dispenser bar. Remove the glass to stop dispensing.

CAUTION: Pressure can break a fragile glass.

Chilled water comes from a 50 oz. tank behind the crisper/utility drawers. Allow about 24 hours to chill the first tankful of water.

When the refrigerator is first hooked up, press the water dispenser bar with a glass or jar until you have drawn and discarded 2-3 quarts of water. This will remove the air in the system and rinse the tank and pipes.

If the dispenser is not used regularly, dispense enough water every week to freshen the supply. Allow 2-3 hours for the new supply of water to chill.

IMPORTANT: The small tray under the dispenser is designed to evaporate **small** spills. There is no drain in this tray. Do not pour water into it.

Dispenser Operating Tips

- The ice dispenser will work only with the freezer door closed.
- The ice dispenser will work only if the bin is pushed all the way in.
- Use only ice crescents from the ice maker. Other shapes will not dispense properly.
- When you need more ice than a glass or two, scoop it from the ice bin. The dispenser motor may stop if the dispenser bar is held in too long. If this happens, wait about 3 minutes for the motor's protective device to reset itself.
- Good water quality is important for good ice quality. It is not recommended that the ice maker be connected to a softened water supply. Water softener chemicals such as salt from a malfunctioning softener can damage the ice maker mold and lead to poor quality ice. If a softened water supply cannot be avoided, it is important that the water softener be well maintained and is operating properly.
- An off-taste or odor in the ice can be eliminated by making sure food is wrapped and stored properly and/or by throwing away stale ice and making a new supply.

IMPORTANT: The first few loads of ice from a new ice maker may have an off-taste. Throw away the ice and make a new supply.

Sounds You May Hear

Your new refrigerator may make different sounds than your previous one. Hard surfaces such as the ceiling, walls, and cabinets around the refrigerator can make sounds seem louder.

The following chart describes the kinds of sounds that might be new to you and what causes them.

Sounds/Observations	Causes
Hum or Hiss	The refrigerator's fan motor and moving air.
Clicking or Snapping Sounds	The thermostat makes a definite click when the refrigerator stops running. It also makes a sound when the refrigerator starts. The defrost timer will click when the defrost cycle starts and stops.
Ice Maker Sounds <ul style="list-style-type: none">• trickling water• clatter of ice	You may hear buzzing (from the water valve), trickling water and the clatter of ice falling into the bin.
Running Sounds	The high-efficiency compressor and motor will run longer than older designs.
Trickling Water/Water Sounds	During the defrost cycle, the refrigerator will not be running. The trickling water is the frost accumulation on the freezer coil melting and running into the defrost pan. When the refrigerator stops running, you may hear gurgling in the tubing for a few minutes.
Warm Air from Upper Ventilation Panel/Base Grille	You may feel air flowing from behind the upper ventilation panel and base grille when the refrigerator is running. This is normal.

To Save Energy

- Open the doors as few times as possible. Keep food organized so you do not have to search for what you want. Get everything you need out at one time. Close the door as soon as food is removed.
- Fill the refrigerator but do not overcrowd it causing air movement to be blocked.
- Set the refrigerator and freezer temperatures to suit your needs—ice cream should be firm and beverages should be as cold as you like them. Avoid setting the refrigerator and freezer temperatures colder than is necessary.

Food Storage Guide

Fresh Food

Vegetables

- Leafy
Remove store wrapping. Tear off bruised and discolored areas. Wash in cool water, drain. Place in plastic bag or container and store in crisper or utility drawer on high humidity setting.
- With Skins
Place in plastic bags or containers and store in crisper or utility drawer on low humidity setting.

Fruit

- Berries
Sort to remove injured berries. Do not wash berries until they are to be served. Store in original container in crisper or utility drawer on low humidity setting.
- Other
Sort to remove injured fruit before storing. Wash fruit, let dry, place in perforated plastic bag or loosely covered plastic container and store in crisper or utility drawer on low humidity setting.

Meat

- Cured or Smoked Meat and Cold Cuts
Store in original packaging in Meat Locker until opened. When opened, tightly re-wrap using plastic wrap or aluminum foil and store in Meat Locker.
- Fresh, Prepackaged Meat & Poultry
Store in original packaging in Meat Locker.
- Fresh Meat, Not Prepackaged
Remove market wrapping paper. Rewrap in aluminum foil and store in Meat Locker.
- Fresh Poultry, Not Prepackaged
Remove market wrapping paper. Rewrap in plastic wrap and store in Meat Locker.
- Cooked Meat & Poultry
Wrap or cover with plastic wrap or aluminum foil. Store immediately.

- Fresh Fish & Shellfish
Store in plastic bag or tightly covered container in Meat Locker. Set Meat Locker control on coldest setting for best results.

Dairy Products

- Eggs
Store in original carton or use the Egg Nest in the refrigerator.
- Milk
Store in original container on refrigerator shelf.
- Butter or Margarine
Store in the utility compartment or on refrigerator shelf until opened. When opened, store in covered dish or on butter dish in the utility compartment.
- Cheese
Store in original packaging until opened. When opened, tightly rewrap in plastic wrap or aluminum foil and store in utility compartment or on refrigerator shelf.

Leftovers

Cover with plastic wrap or aluminum foil, or place in plastic containers with tight fitting lids.

Condiments

Store small jars and bottles in door bins.

Beverages

Wipe off bottles and cans. Store in door bins or on refrigerator shelves. Door bins will hold two-liter bottles.

Refrigerator Storage Chart for Fresh and Cured Meat*

Type	Approximate Time (Days)
Chicken	1 to 2
Ground Beef	1 to 2
Variety Meat	1 to 2
Steaks and Roasts	3 to 5
Cold Cuts	3 to 5
Bacon	5 to 7
Cured Meat	7 to 10

*If meat is to be stored longer than the times given, freezing is recommended.

Frozen Food

Prepackaged Frozen Food

Store in original packaging on freezer door shelf or on freezer shelf.

Meat/Poultry

Trim off excess fat and remove bones when necessary. Meat/Poultry should not be salted. Wrap tightly in heavy-duty aluminum foil, plastic-coated wrapper, or non-permeable plastic wraps (made from a saran film). Press out as much air as possible. Label and date the meat/poultry. Do not refreeze thawed meat.

Ice Cream

Store in original packaging. When opened, place a piece of aluminum foil or waxed paper against ice cream surface to prevent the formation of ice crystals.

Frozen Juices

Store in original container on freezer door shelf or on freezer shelf.

Storage Chart for Frozen Food

Storage times given in this chart are only a guide. For best use of freezer space, keep frozen food for short times. Use, then replace as needed.

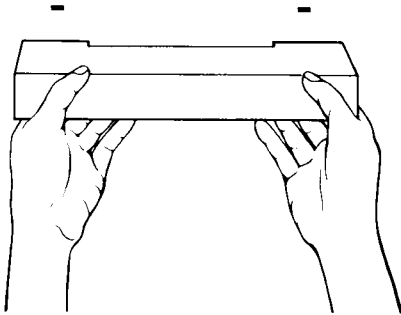
Type	Approximate Time (Months)
Bread	2
Cooked Dishes	2 to 3
Fish and Seafood	
Fresh	6
Commercially Frozen	1 to 3
Fruit	6
Ice Cream	1
Concentrated Juice	4 to 6
Meat	
Bacon	less than 1
Pork Roast, Chops	3 to 4
Sausage	1 to 2
Beef, Veal, Lamb Roasts	6
Ground Meat	1 to 2
Poultry	3 to 4
Vegetables	6

Courtesy of National Livestock & Meat Board and U.S.D.A.

Changing the Light Bulbs

WARNING: Before removing a light bulb, turn off the electricity leading to the refrigerator at the power on/off switch located behind the upper ventilation panel. Shock and injury can occur if electricity remains connected.

Light Bulbs Behind the Refrigerator and Freezer Controls:



TO REMOVE:

1. Grasp plastic light cover with both hands and squeeze (front to back) to release tabs.
2. Pull down and away from controls.
3. Remove bulb.

TO REPLACE:

1. Replace bulbs with 25-watt incandescent medium-base tubular (showcase) bulbs.
2. Insert tabs of plastic cover into slots.
3. Push to snap into place.

Light Bulb Under the Ice Bin:

1. Remove light cover.
2. Remove and replace bulb with a 25-watt incandescent medium-base tubular (showcase) bulb.
3. Replace light cover.

Light Bulb Behind the Crisper:

1. Remove utility drawer/crisper. (See page 9 for instructions.)
2. Remove glass cover of utility drawer/crisper. (See page 9 for instructions.)
3. Pull bottom of light cover away from back wall of refrigerator. Remove light cover.
4. Remove and replace the bulb with a 25-watt incandescent medium-base tubular (showcase) bulb.
5. Replace the light cover in the reverse order.

Dispenser Light:

1. Remove the bulb from the top inside of the dispenser area.
2. Replace with a heavy-duty 10-watt bulb.

IMPORTANT: Be sure power on/off switch is returned to the ON position after the light bulbs have been changed.

Cleaning the Refrigerator-Freezer

The refrigerator and freezer sections defrost automatically. However, both should be cleaned once a month to help prevent odors from building up. Spills should be wiped up immediately.

To clean, turn off the electricity at the power on/off switch behind the upper ventilation panel; take out all removable parts and clean it according to the directions given below. Be sure power on/off switch is in the ON position when cleaning is finished.

Cleaning Chart

Part	What To Use	How To Clean
Removable parts (shelves, meat locker, crisper, utility drawers, etc.)	<ul style="list-style-type: none"> • Sponge or cloth • Mild detergent and warm water 	<ul style="list-style-type: none"> • Wash with warm water and a mild detergent. • Rinse and dry well.
Interior walls	<ul style="list-style-type: none"> • Sponge, soft cloth or paper towel • Mild detergent • Warm water 	<ul style="list-style-type: none"> • Wash with warm water and mild detergent. • Rinse and dry well.
Door liners and gaskets	<ul style="list-style-type: none"> • Sponge, soft cloth or paper towel • Mild detergent • Warm water 	<ul style="list-style-type: none"> • Wash with mild detergent and warm water. • Rinse and dry well. • Do not use cleaning waxes, concentrated detergents, bleaches, or cleaners containing petroleum or alcohol on plastic parts.
Base grille	<ul style="list-style-type: none"> • Vacuum cleaner with brush attachment 	<ul style="list-style-type: none"> • Vacuum grille with brush attachment.
Defrost Pan	<ul style="list-style-type: none"> • Sponge or cloth • Mild detergent • Warm water 	<ul style="list-style-type: none"> • WARNING: Refrigeration system tubes are located above the defrost pan and may be quite warm at times. Remove defrost pan carefully. • Press power on/off switch OFF. (See page 11.) • Remove base grille. (See page 12.) • Remove defrost pan. (See page 12.) • Wash defrost pan in warm water and mild detergent. • Rinse and dry well. • Replace defrost pan. • Replace base grille. • Press power on/off switch ON.
Panels		<ul style="list-style-type: none"> • Clean as you would your kitchen cabinets.
Condenser Coils	<ul style="list-style-type: none"> • Vacuum cleaner with extended narrow attachment 	<ul style="list-style-type: none"> • Should be cleaned periodically. • Remove upper ventilation panel (see page 11) to expose condenser coils. • Vacuum using extended narrow attachment. • Replace upper ventilation panel.

Vacation and Moving Care

Short Vacations

If you will be away for less than four weeks, there is no need to shut off the refrigerator. Use up perishables and freeze other items. Turn off the automatic ice maker, then shut off the water supply to the ice maker. Empty the ice bin.

Long Vacations

Remove all food if you will be gone a month or more. Turn off the water supply to the ice maker at least one day ahead of time. When the last load of ice drops into the bin, turn the ice maker off. Turn the refrigerator-freezer off. (See page 6.)

To restart the refrigerator, see Using the Refrigerator-Freezer, page 6.

Moving

If the refrigerator-freezer must be moved, contact the dealer from whom you purchased the refrigerator-freezer or your local KitchenAid authorized servicer.

If You Need Service or Assistance

1. If the refrigerator should fail to operate, review the following list before calling your dealer. You could save the cost of a service call.

If the refrigerator will not operate:

- Is the power on/off switch in the OFF position?
- Is a fuse blown or circuit breaker tripped?
- Is the Freezer Control in the OFF position?

If the refrigerator makes unfamiliar sounds:

- New features on your refrigerator make new sounds. You may be hearing air flowing from fans, timer clicks for the defrosting cycle, or defrost water draining into the defrost pan. See page 16.

If your ice maker will not operate:

- Has the freezer had enough time to get cold?
- Is the signal arm ON, in the down position?
- Is the water line valve turned on? Is water getting to the ice maker?

If the lights are not working:

- Is the power on/off switch in the OFF position?
- Is a fuse blown or circuit breaker tripped?
- Is the light bulb burned out? See instructions for changing light bulbs on page 19.

If the motor seems to run too long:

- The motor naturally runs longer on hot days or if the room is warm, as well as when a large amount of food has been put into the refrigerator or the doors have been opened a lot.

2. If the problem is not due to one of the above items:

- Call your dealer or the repair service he recommends.
- All service should be handled locally by the dealer from whom you purchased the refrigerator or an authorized KitchenAid servicer.

3. In the event you are unable to obtain the name of a local authorized KitchenAid servicer, look in the yellow pages of all metro area telephone directories under Dishwashing Machines. KitchenAid is listed there.

- If you must call or write, please provide: Model Number, Serial Number, Date of Purchase and a complete description of the problem. Write to:

Customer Relations Department
KitchenAid Canada, Inc.
1901 Minnesota Court
Mississauga (Ontario)
L5N 3A7
Telephone: (416) 821-6606

KitchenAid™

Refrigerator-Freezer Warranty

Length Of Warranty	KitchenAid Will Pay For:	KitchenAid Will Not Pay For:
ONE YEAR FULL WARRANTY FROM DATE OF INSTALLATION	Replacement parts and repair labor to correct defects in materials or workmanship. Service must be provided by an authorized KitchenAid servicing outlet.	A. Service calls to: <ol style="list-style-type: none"> 1. Correct the installation of the refrigerator. 2. Instruct you how to use the refrigerator. 3. Replace house fuses or correct house wiring. 4. Correct house plumbing. B. Repairs when refrigerator is used in other than normal home use. C. Damage resulting from accident, alteration, misuse, abuse, improper installation or installation not in accordance with local electrical or plumbing codes. D. Any food loss due to product failure. E. Replacement parts or repair labor costs for units operated outside the United States. F. Pickup and delivery. This product is designed to be repaired in the home. G. Any labor costs during the Limited Warranty.
FIVE YEAR FULL WARRANTY FROM DATE OF INSTALLATION	Replacement parts and repair labor to correct defects in materials or workmanship in the sealed refrigeration system. These parts are: <ol style="list-style-type: none"> 1. Compressor 2. Evaporator 3. Condenser 4. Drier 5. Connecting Tubing. Service must be provided by an authorized KitchenAid servicing outlet.	
FIVE YEAR FULL WARRANTY FROM DATE OF INSTALLATION	Replacement parts and repair labor to correct defects in materials or workmanship in the automatic ice maker. Service must be provided by an authorized KitchenAid servicing outlet.	
TEN YEAR LIMITED WARRANTY ONE YEAR FULL PLUS SECOND THROUGH TENTH YEAR LIMITED FROM DATE OF INSTALLATION	Replacement parts to correct defects in materials or workmanship in the sealed refrigeration system. These parts are: <ol style="list-style-type: none"> 1. Compressor 2. Evaporator 3. Condenser 4. Drier 5. Connecting Tubing. 	

KITCHENAID CANADA, INC. DOES NOT ASSUME ANY RESPONSIBILITY FOR INCIDENTAL OR CONSEQUENTIAL DAMAGES.

This warranty gives you specific legal rights and you may also have other rights which vary from province to province.

HOW TO ARRANGE FOR SERVICE

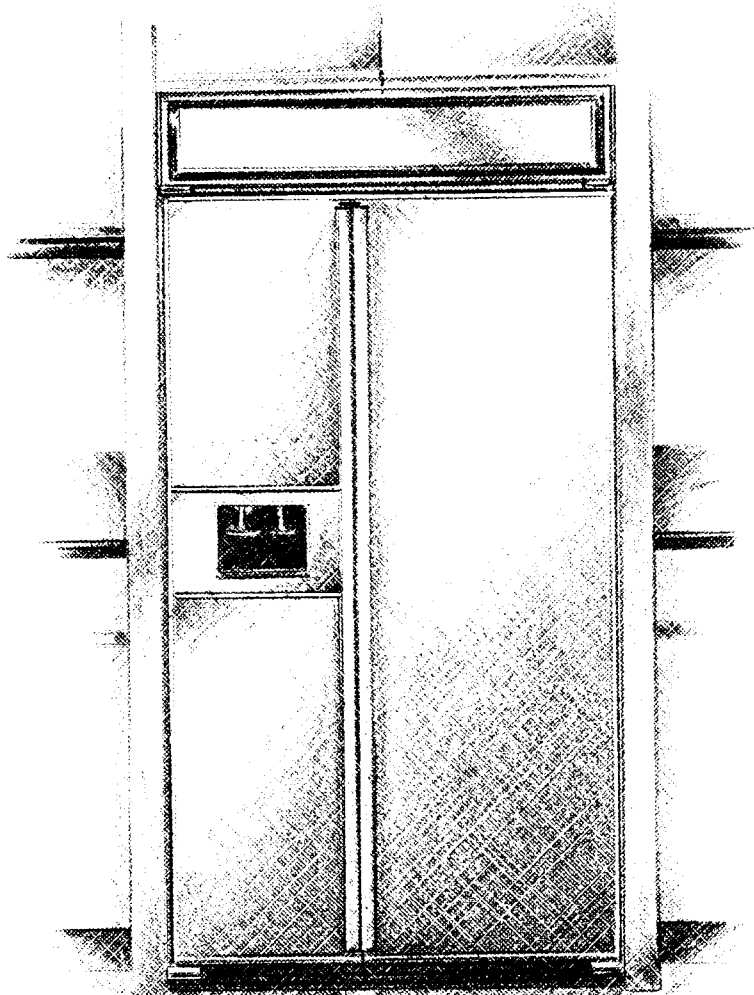
- Call your dealer or repair service he recommends.
- All service should be handled locally by the dealer from whom you purchased the unit or an authorized KitchenAid servicing outlet. If your local service is unsatisfactory, contact the Customer Relations Department, KitchenAid Canada, Inc., 1901 Minnesota Court, Mississauga (Ontario) L5N 3A7, Telephone: (416) 821-6606.

KitchenAid Canada, Inc.
Mississauga (Ontario) L5N 3A7

KitchenAid^{MC}

*Réfrigérateur-congélateur
36 po encastré*

Modèle 4KSRF36DT



**GUIDE D'UTILISATION
et D'ENTRETIEN**

Table des matières

Les responsabilités du propriétaire	3
Instructions importantes concernant la sécurité	3
Enregistrement du propriétaire	4
Caractéristiques du réfrigérateur-congélateur encastré	5
Comment utiliser le réfrigérateur-congélateur	6 - 16
Thermostats	6
Thermostat du bac à viande	6
Compartiment range-tout	7
Balconnets	7
Clayettes du réfrigérateur	7
Bac à viande	8
Bac à légumes et bac range-tout transparents à humidité contrôlée	9
Clayettes du congélateur	10
Paniers du congélateur	10
Panneau de ventilation supérieur	11
Interrupteur	11
Grille de base	12
Plateau de dégivrage	12
Bac de la machine à glaçons	13
Distributeur d'eau froide et de glaçons	14
Conseils sur le fonctionnement du distributeur	15
Les bruits de l'appareil	16
Conseils pour économiser l'énergie	16
Guide de rangement des aliments	17 - 18
Remplacement des ampoules	19
Nettoyage du réfrigérateur-congélateur	20
Précautions à prendre pour les vacances ou le déménagement	21
Service après-vente	22
Garantie KitchenAid	(voir au dos de la couverture)

© 1988 KitchenAid Canada, Inc.

Les responsabilités du propriétaire:

- Installer correctement le réfrigérateur.
- Lire et suivre toutes les instructions concernant la sécurité de ce guide d'utilisation et d'entretien.
- Utiliser l'appareil uniquement comme réfrigérateur ménager.
- Entretien convenablement le réfrigérateur.
- Nettoyer le réfrigérateur avant l'utilisation en suivant les instructions en page 20 de ce guide.
- S'assurer que le réfrigérateur est suffisamment froid avant d'y ranger des aliments.

Instructions importantes concernant la sécurité

Le problème des enfants qui s'enferment et qui suffoquent dans les réfrigérateurs n'est pas nouveau. Les réfrigérateurs abandonnés représentent encore un danger... même s'ils "ne sont dans le garage que pour quelques jours."

Si vous vous débarrassez de votre vieux réfrigérateur, prenez les précautions nécessaires. Veuillez lire le livret ci-inclus, intitulé "STOP! Help Save a Child's Life," fourni par "Association of Home Appliance Manufacturers." Aidez à prévenir les accidents!

Enregistrement du propriétaire

Veillez remplir et envoyer la carte d'enregistrement du propriétaire qui accompagne le Guide d'utilisation et d'entretien. Cette carte nous permettra de communiquer avec vous dans l'éventualité peu probable d'un avis de sécurité. **Vous n'avez pas à retourner cette carte pour valider votre garantie.**

Vous devez fournir une preuve de la date d'achat ou d'installation de votre appareil pour obtenir un service après-vente couvert par la garantie.

Inscrivez ci-dessous les renseignements suivants. Ils vous seront utiles si jamais votre réfrigérateur nécessite de l'entretien.

Numéro de modèle* _____

Numéro de série* _____

Date d'achat _____

Date d'installation _____

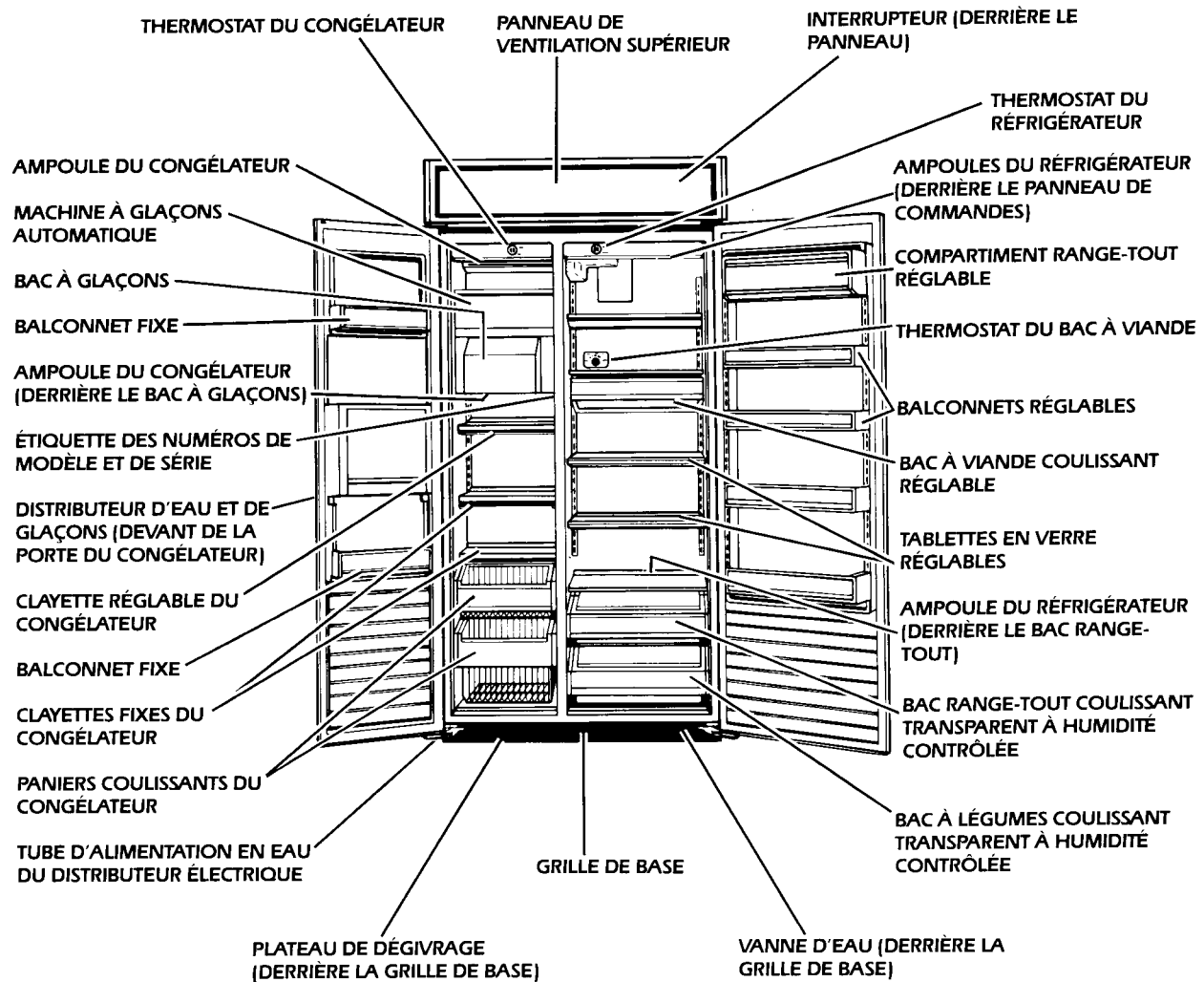
Nom du fabricant ou du dépositaire _____

Adresse _____

Téléphone _____

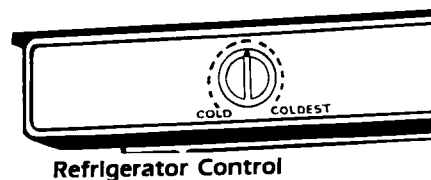
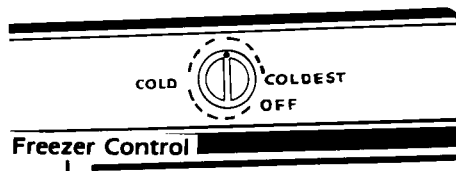
*Les numéros de modèle et de série sont inscrits sur une étiquette située sur la paroi intérieure de droite du compartiment congélateur de l'appareil, en-dessous du bac à glaçons.

Caractéristiques du réfrigérateur-congélateur encastré



Comment utiliser le réfrigérateur-congélateur

Thermostats

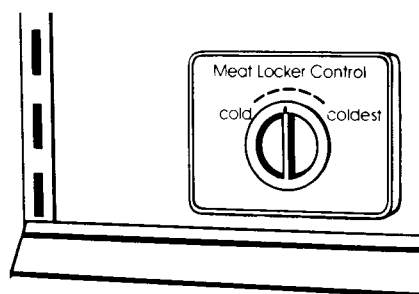


Les thermostats du réfrigérateur et du congélateur ont été pré-réglés à l'usine. Ces réglages devraient être appropriés pour l'usage normal d'un réfrigérateur ménager. Laisser au réfrigérateur le temps d'atteindre la température "préréglée" (environ 24 heures) avant de changer la position de réglage.

Pour changer le réglage de la température, procéder de la façon suivante:

1. Régler le thermostat du réfrigérateur et/ou du congélateur. Pour faire baisser la température du réfrigérateur ou du congélateur, tourner la/les commande(s) dans le sens des aiguilles d'une montre. Pour faire monter la température du réfrigérateur ou du congélateur, tourner la/les commande(s) dans le sens inverse.
2. Attendre au moins 24 heures avant d'effectuer d'autres réglages, pour permettre au réfrigérateur ou au congélateur d'atteindre la température désirée.

Pour arrêter le réfrigérateur-congélateur, régler la commande de congélateur à ARRÊT.

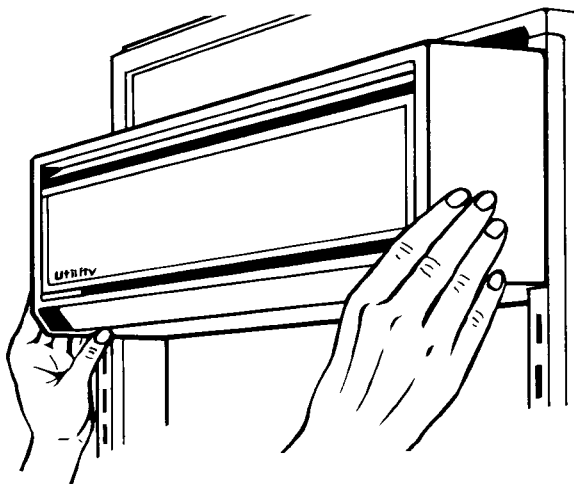


Thermostat du bac à viande

Le thermostat du bac à viande permet le réglage de la température de rangement du bac à viande.

L'air froid circule dans le bac à viande par une conduite d'air qui relie le congélateur au réfrigérateur. Le réglage de la température permet à plus ou moins d'air de passer par l'ouverture. Pour plus de détails sur le bac à viande, voir en page 8.

Compartiment range-tout



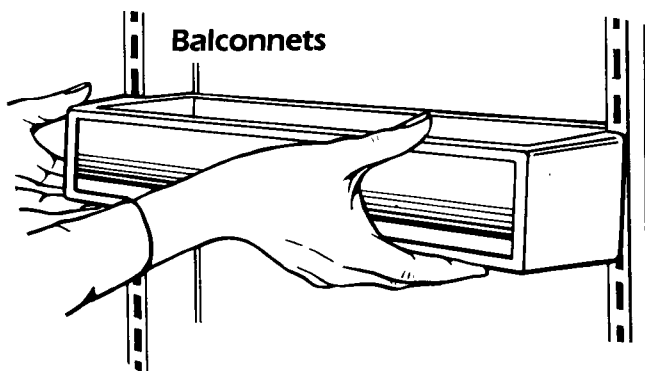
Le compartiment range-tout peut être placé n'importe où dans la porte du réfrigérateur.

POUR RETIRER:

Prendre le compartiment par les deux extrémités, lever et tirer.

POUR REPLACER:

1. Insérer les crochets du compartiment dans les crans de crémaillère situés de chaque côté de la porte.
2. Pousser vers le bas pour mettre en place.



Balconnets

Les balconnets peuvent recevoir des bouteilles de deux litres et être placés n'importe où dans la porte du réfrigérateur.

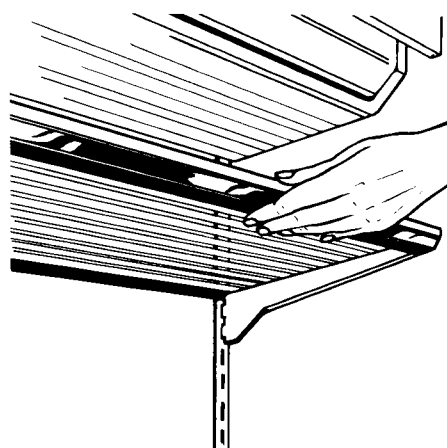
POUR RETIRER:

Lever le bac et tirer.

POUR REPLACER:

1. Insérer les crochets du bac dans les crans de crémaillère situés de chaque côté de la porte.
2. Pousser vers le bas pour mettre en place.

Clayettes du réfrigérateur



Les clayettes peuvent être à l'endroit qui vous convient le mieux.

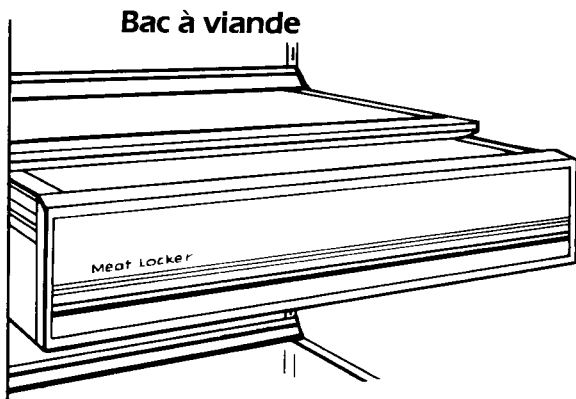
POUR RETIRER:

1. Soulever l'avant.
2. Soulever l'arrière.
3. Tirer.

IMPORTANT: Les tablettes en verre sont pesantes. Les manipuler avec soin.

POUR REPLACER:

1. Insérer les crochets dans les crans de crémaillère situés au fond du réfrigérateur.
2. Soulever le devant de la clayette jusqu'à ce que les crochets tombent en place dans les crans. Abaisser le devant de la clayette pour la mettre de niveau. S'assurer que la clayette est stable et que les crochets sont bien insérés.



Le bac à viande a été conçu pour permettre de ranger les aliments à des températures plus basses que la température moyenne du réfrigérateur. On peut placer le réceptacle du bac à viande dans n'importe quelle série de crans de crémaillère. Par contre, pour un usage à température contrôlée, le bac à viande et son réceptacle doivent être installés dans l'une des six séries de crans à crémaillère situées juste au-dessous du thermostat du bac à viande.

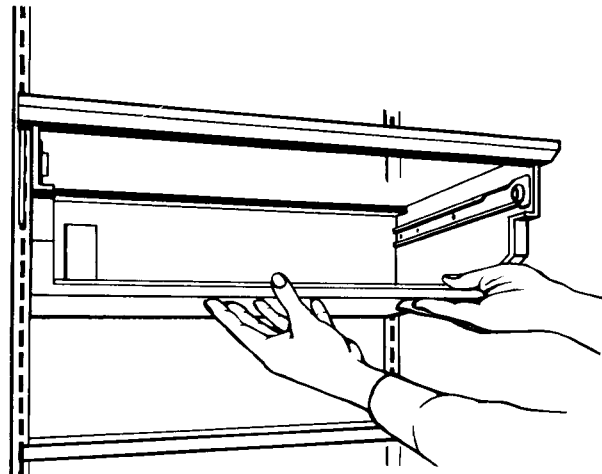
Le bac à viande et son réceptacle peuvent être retirés pour faciliter le nettoyage.

POUR RETIRER LE BAC À VIANDE:

1. Faire glisser le bac à viande vers soi jusqu'à arrêt complet.
2. Soulever légèrement l'avant du bac à viande.
3. Tirer le bac à viande.

POUR LE REPLACER:

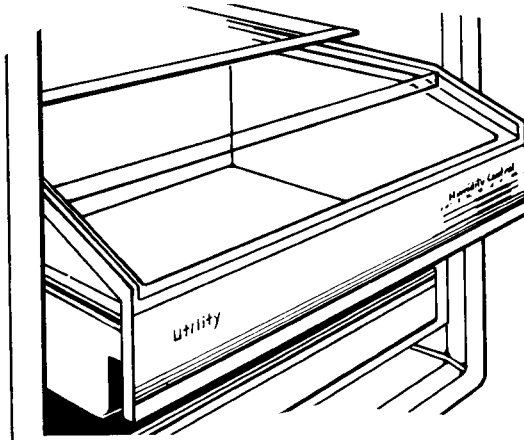
Suivre les étapes dans l'ordre inverse.



POUR RETIRER LE RÉCEPTACLE DU BAC À VIANDE OU LE CHANGER DE PLACE:

1. Retirer le réceptacle de la même façon que les tablettes en verre.
2. Réglage des orifices d'alimentation d'air froid:
 - A. Si le réceptacle est placé dans l'une des trois premières positions des crans en dessous du thermostat, bloquer l'orifice inférieur d'alimentation d'air à l'aide du bouchon en plastique. Laisser ouvert l'orifice supérieur d'alimentation d'air.
 - B. Si le réceptacle est placé dans l'une ou l'autre des trois dernières positions des crans en dessous du thermostat, bloquer l'orifice supérieur d'alimentation d'air à l'aide du bouchon en plastique. Laisser ouvert l'orifice inférieur d'alimentation d'air.
 - C. Si le réceptacle est placé dans n'importe quelle autre position des crans, bloquer les deux orifices d'alimentation d'air. À cette fin, un deuxième bouchon est collé à l'aide d'un ruban adhésif au fond du bac à viande.
3. Replacer le réceptacle de la même façon que les tablettes en verre.

Bac à légumes et bac range-tout transparents à humidité contrôlée



L'humidité du bac à légumes et du bac range-tout peut être réglée en fonction des aliments qu'ils contiennent. Pour plus de détails concernant le réglage de l'humidité, se reporter à la page 17 du Guide de rangement des aliments. Déplacer la manette vers la droite pour augmenter l'humidité ou vers la gauche pour diminuer l'humidité. Le bac range-tout et le bac à légumes à humidité contrôlée sont interchangeables. La section transparente vous permet de voir le contenu du bac range-tout et du bac à légumes même lorsqu'ils sont fermés.

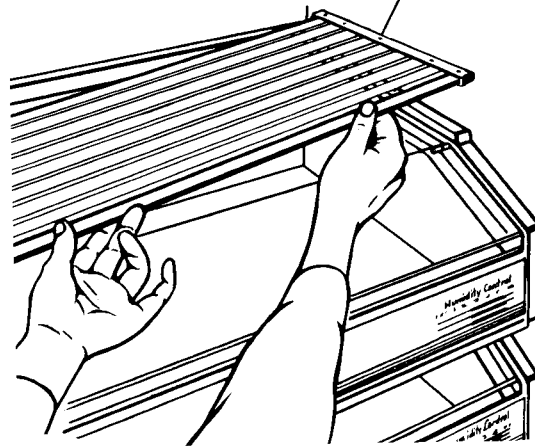
POUR RETIRER LE BAC RANGE-TOUT ET LE BAC À LÉGUMES:

1. Tirer le bac jusqu'à arrêt complet.
2. Soulever l'avant du bac et tirer jusqu'au bout.

POUR REPLACER:

Suivre les étapes dans l'ordre inverse.

Dispositif de retenue

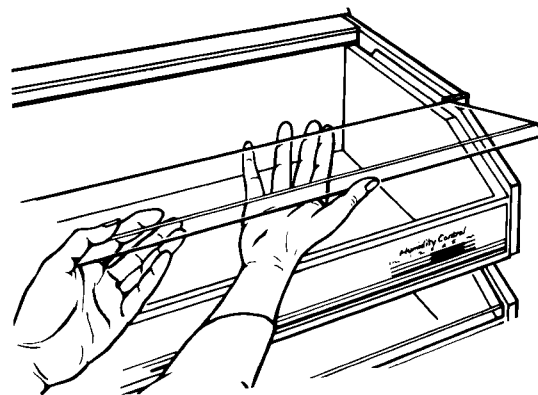


POUR RETIRER LES COUVERCLES EN VERRE:

1. Soulever l'avant du couvercle de verre pour dégager le dispositif de retenue et le côté gauche du couvercle.
2. Retirer soigneusement le couvercle en verre.

POUR REPLACER:

1. Placer le dispositif de retenue sur le côté droit du couvercle en verre.
2. Insérer le côté gauche du couvercle en verre dans la rainure.
3. Abaisser le couvercle de façon à ce que les tiges du dispositif de retenue tombent en place dans les trous.



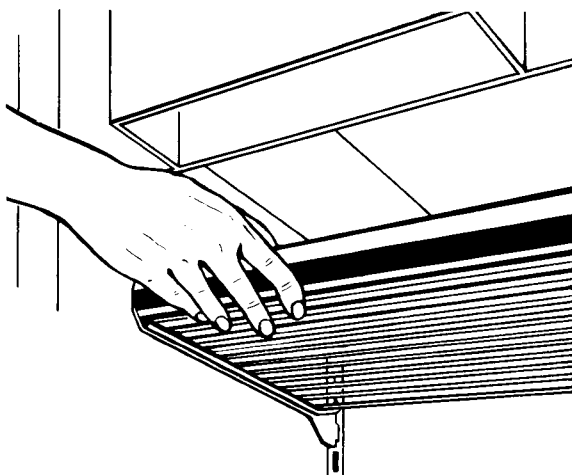
POUR RETIRER LA SECTION TRANSPARENTE:

1. Retirer le couvercle en verre (voir ci-dessus)
2. Soulever la section transparente.

POUR REPLACER:

Suivre les étapes dans l'ordre inverse.

Clayettes du congélateur

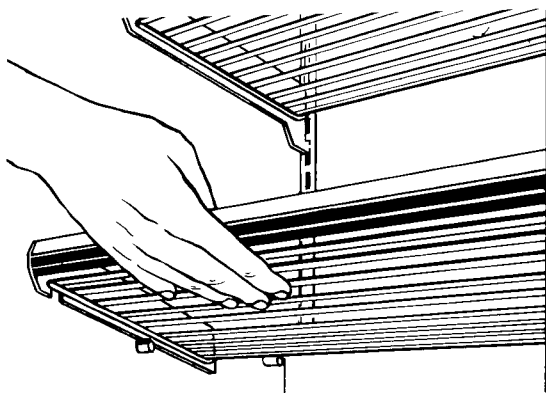


POUR RETIRER LA CLAYETTE MONTÉE SUR CRANS:

1. Soulever l'avant.
2. Soulever l'arrière.
3. Retirer la clayette en tirant.

POUR REPLACER:

1. Insérer les crochets arrière dans les crans des crémaillères.
2. Soulever l'avant de la clayette jusqu'à ce que les crochets s'insèrent dans les crans.
3. Baisser l'avant de la clayette pour la mettre de niveau.



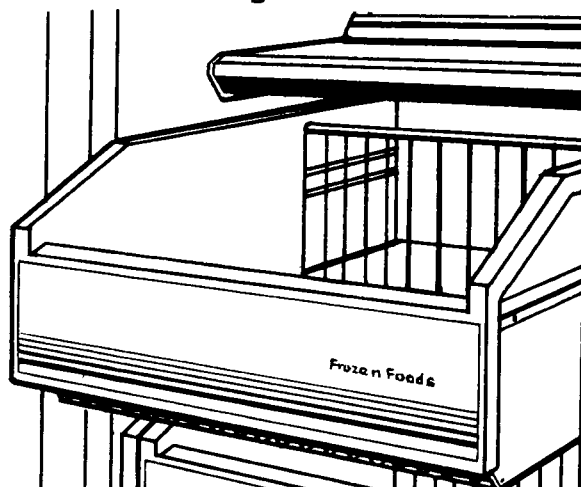
POUR RETIRER LA CLAYETTE MONTÉE SUR TIGES:

1. Soulever la clayette
2. Tirer.

POUR REPLACER:

Suivre les étapes dans l'ordre inverse.

Paniers du congélateur



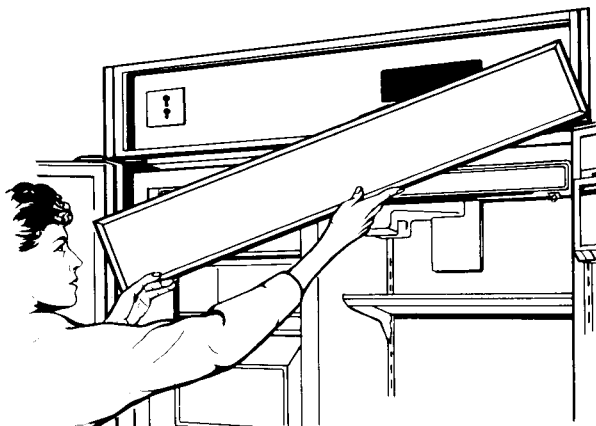
POUR RETIRER:

1. Tirer le panier jusqu'à arrêt complet.
2. Soulever l'avant et retirer.

POUR REPLACER:

1. Insérer les roulettes du panier dans les coulisses.
2. Soulever l'avant du panier pour éviter les crémaillères.
3. Glisser le panier jusqu'au fond.

Panneau de ventilation supérieur



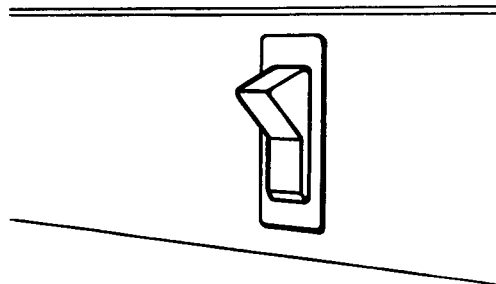
POUR RETIRER:

1. Prendre le panneau par ses deux extrémités.
2. Pousser vers le haut et retirer.

POUR REPLACER:

1. Insérer les têtes de vis situées à l'arrière du panneau de ventilation supérieur dans la partie supérieure des ouvertures en forme de trou de serrure.
2. Tirer le panneau légèrement vers le bas jusqu'à ce qu'il tombe bien en place.

Interrupteur



L'interrupteur se trouve derrière le panneau de ventilation supérieur. On l'utilise pour arrêter le courant du réfrigérateur-congélateur avant le nettoyage de l'appareil ou le remplacement d'une ampoule électrique.

POUR ARRÊTER LE COURANT:

1. Retirer le panneau de ventilation supérieur (voir ci-dessus).
2. Régler l'interrupteur en position ARRÊT.

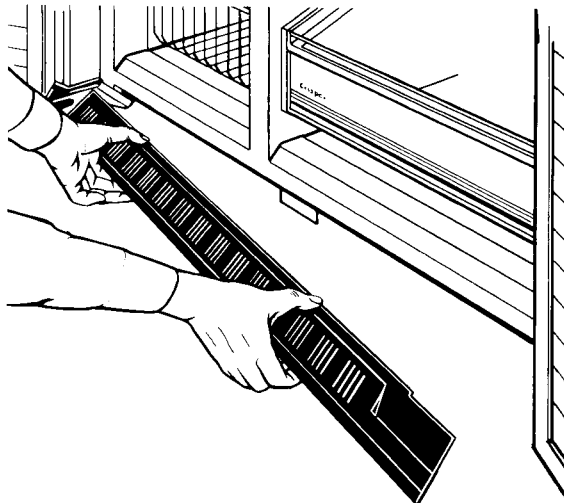
POUR REMETTRE EN MARCHÉ:

1. Régler l'interrupteur en position EN MARCHÉ.
2. Replacer le panneau de ventilation supérieur (voir ci-dessus).

NOTE: S'assurer que l'interrupteur est en position EN MARCHÉ après le nettoyage de l'appareil ou le remplacement d'une ampoule électrique.

IMPORTANT: S'assurer que l'interrupteur est en position EN MARCHÉ après le nettoyage de l'appareil ou le remplacement d'une ampoule électrique.

Grille de base



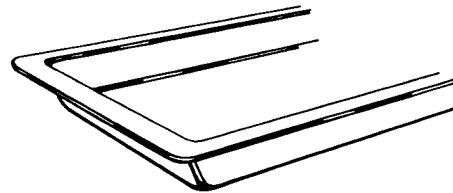
POUR RETIRER LA GRILLE DE BASE:

1. Enlever une vis à chaque extrémité de la grille.
2. Retirer la grille de base.

POUR REPLACER LA GRILLE DE BASE:

Suivre les étapes dans l'ordre inverse.

Plateau de dégivrage



Le plateau de dégivrage est situé derrière la grille de base du côté gauche du réfrigérateur-congélateur.

MISE EN GARDE: La vanne d'eau se trouve derrière la grille de base du côté droit du réfrigérateur-congélateur. Ne pas déplacer les connexions de la conduite d'eau: cela pourrait entraîner une fuite.

POUR RETIRER LE PLATEAU DE DÉGIVRAGE:

1. Régler l'interrupteur en position ARRÊT (voir directives en page 11).
2. Retirer la grille de base (voir ci-dessus).

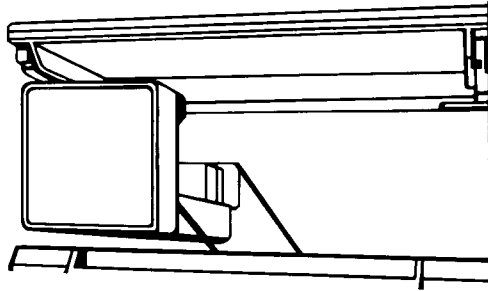
AVERTISSEMENT: Les tubes du système de réfrigération sont situés au-dessus du plateau de dégivrage et peuvent parfois être chauds. Retirer le plateau de dégivrage avec soin.

3. Pousser le plateau vers l'arrière du réfrigérateur et l'abaisser pour dégager la bordure avant du plateau des deux pattes de retenue.
4. Retirer le plateau en le tirant soigneusement vers l'avant.
5. Nettoyer le plateau (voir directives en page 20).

POUR REPLACER LE PLATEAU DE DÉGIVRAGE:

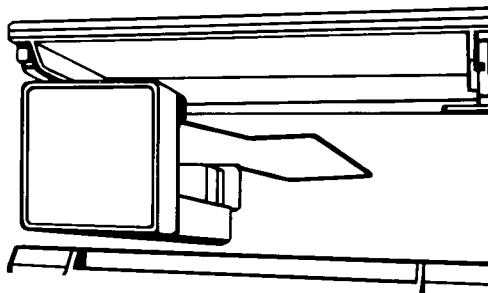
1. Pousser le plateau jusqu'au fond.
2. Lever la partie avant et enclencher en place.
3. Replacer la grille de base.
4. Régler l'interrupteur en position EN MARCHE.

Machine à glaçons



POUR METTRE LA MACHINE À GLAÇONS EN MARCHÉ:

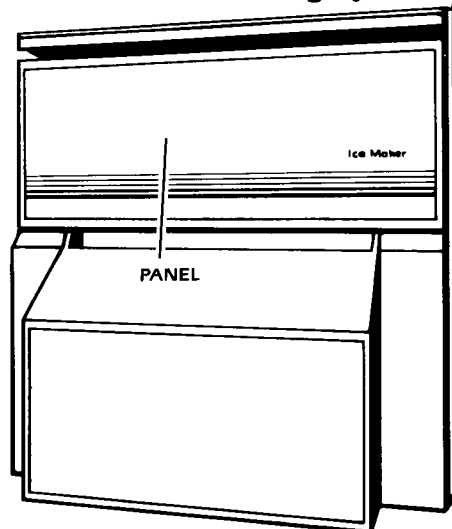
Abaisser le levier de la machine à glaçons en position EN MARCHÉ.



POUR ARRÊTER LA MACHINE À GLAÇONS:

Soulever le levier pour qu'il s'enclenche en position ARRÊT.

Bac de la machine à glaçons



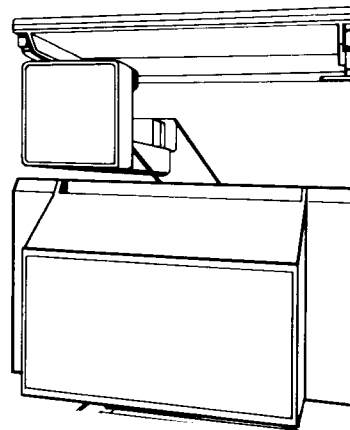
Le bac de la machine à glaçons peut contenir jusqu'à 8,5 livres de glaçons. Jeter périodiquement les vieux glaçons pour diminuer les chances que leur goût ne soit altéré ou qu'ils ne dégagent une mauvaise odeur.

IMPORTANT: Les premières quantités de glaçons provenant d'une nouvelle machine à glaçons peuvent avoir un goût altéré, qui provient de la nouvelle tuyauterie et des nouvelles pièces de l'appareil. Jeter ces glaçons.

POUR RETIRER LE BAC À GLAÇONS:

Le bac à glaçons peut être retiré pour la distribution de grandes quantités de glace ou pour le nettoyage.

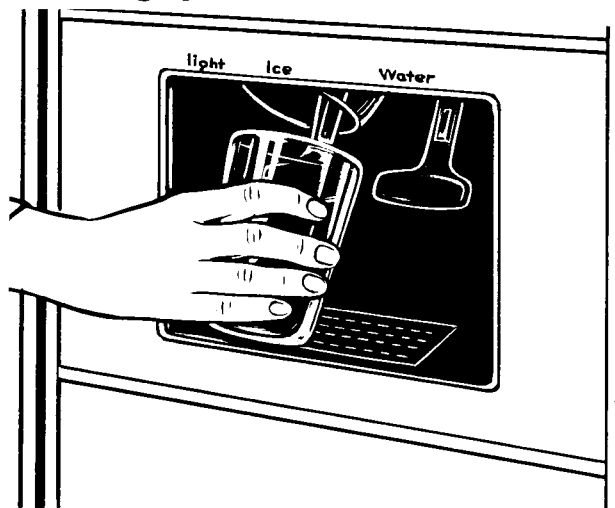
1. Tirer la base du panneau qui recouvre le bac à glaçons et le glisser vers l'arrière.
2. Soulever le levier de la machine à glaçons pour qu'il s'enclenche en position ARRÊT. La distribution des glaçons continuera lorsque la porte du congélateur sera fermée, mais la production sera interrompue.
3. Soulever l'avant du bac de rangement, puis le retirer.
4. Vider le bac. Au besoin, utiliser de l'eau chaude ou tiède pour faire fondre les glaçons. Ne jamais utiliser un objet pointu pour briser les glaçons dans le bac; cela peut endommager le bac et le mécanisme du distributeur.
5. Laver à l'aide d'un détergent doux. Bien rincer. Ne pas utiliser de détergent ou de solvant fort ou abrasif.



POUR REPLACER LE BAC À GLAÇONS:

1. S'assurer que le bac est poussé jusqu'au fond.
2. Abaisser le levier de la machine à glaçons en position EN MARCHÉ pour faire reprendre la production.

Distributeur d'eau froide et de glaçons

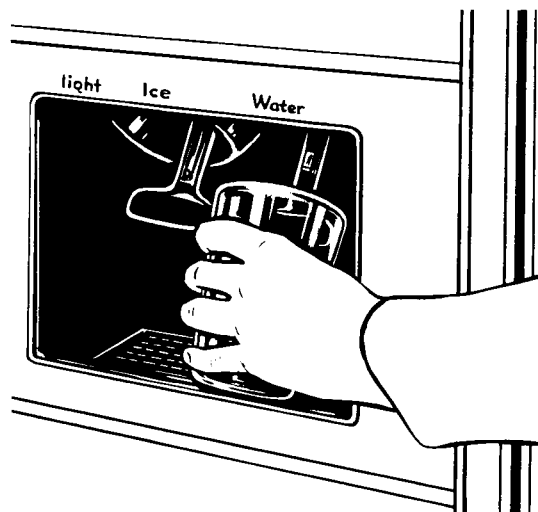


DISTRIBUTION DES GLAÇONS:

Appuyer un verre solide contre le levier du distributeur de glaçons. Retirer le verre pour arrêter la distribution.

MISE EN GARDE: La pression et la chute des glaçons peuvent briser un verre fragile.

Les glaçons sont distribués à partir du bac de la machine à glaçons dans le congélateur. Lorsqu'on appuie sur le levier du distributeur, une trappe s'ouvre sur une chute entre le distributeur et le bac à glaçons. Les glaçons tombent dans la chute. Lorsqu'on relâche le levier du distributeur, on peut entendre un faible bruit pendant quelques secondes.



DISTRIBUTION DE L'EAU FROIDE:

Appuyer un verre solide contre le levier du distributeur d'eau. Retirer le verre pour arrêter la distribution.

MISE EN GARDE: La pression peut briser un verre fragile.

L'eau froide provient d'un réservoir d'une capacité de 50 onces, situé derrière le bac à légumes et le bac range-tout. La première fois, prévoir environ 24 heures pour refroidir un plein réservoir d'eau.

Lorsque le réfrigérateur est branché pour la première fois, appuyer un verre ou un bocal contre le levier du distributeur d'eau pour faire sortir entre 2 et 3 pintes d'eau qu'il faudra jeter. L'air s'échappera du système et l'eau rincera le réservoir et les tuyaux.

Si le distributeur n'est pas utilisé régulièrement, distribuer suffisamment d'eau chaque semaine pour pouvoir renouveler l'approvisionnement. Prévoir de 2 à 3 heures pour le refroidissement de la nouvelle provision d'eau.

IMPORTANT: Le petit plateau situé sous le distributeur a été conçu afin que les **petites** quantités d'eau répandue puissent s'évaporer. Ce plateau ne possède pas de tuyau d'écoulement. Ne pas verser d'eau dans le plateau.

Conseils sur le fonctionnement du distributeur:

- Les distributeurs ne fonctionnent que lorsque la porte du congélateur est fermée.
- Le distributeur de glaçons ne fonctionne que si le bac est bien inséré jusqu'au fond.
- Utiliser uniquement des glaçons en forme de croissant provenant de la machine à glaçons. Les glaçons ayant d'autres formes ne seront pas distribués correctement.
- Lorsqu'on désire plus d'un verre ou deux de glaçons, les prendre dans le bac à glaçons. Le moteur du distributeur peut s'arrêter si le levier du distributeur est tenu trop longtemps. Si cela arrive, attendre environ 3 minutes pour permettre au dispositif de protection du moteur de reprendre le cycle.
- Une eau de bonne qualité est importante pour obtenir des glaçons de bonne qualité. Il n'est pas conseillé de relier la machine à glaçons à un système d'adoucissement de l'eau. Les produits chimiques pour adoucir l'eau, tels que le sel provenant d'un épurateur défectueux, peuvent endommager la coquille de la machine à glaçons et produire des glaçons de mauvaise qualité. Si un adoucisseur d'eau doit être utilisé, il est important que cet appareil fonctionne bien et soit bien entretenu.
- On peut éviter que les glaçons aient mauvais goût ou dégagent une odeur en s'assurant que l'aliment soit bien emballé et rangé et/ou en remplaçant les vieux glaçons par de nouveaux.

IMPORTANT: Les premières quantités de glaçons provenant d'une nouvelle machine à glaçons peuvent avoir un goût altéré. Jeter ces glaçons et en faire de nouveaux.

Les bruits de l'appareil

Votre nouveau réfrigérateur peut faire des bruits différents de ceux de votre vieil appareil. Les surfaces dures telles que le plafond, les murs et les armoires autour du réfrigérateur peuvent amplifier ces sons.

Les tableau suivant décrit les types de bruit qui peuvent être nouveaux pour vous et les causes probables.

BRUITS POSSIBLES	CAUSES PROBABLES
Ronflement ou sifflement	Le moteur du ventilateur du réfrigérateur et la circulation d'air.
Claquements	Le thermostat fait un déclic lorsque le réfrigérateur cesse de fonctionner ou qu'il se remet en marche. La minuterie du système de dégivrage fait un déclic quand le cycle de dégivrage commence et finit.
Bruits du distributeur à glaçons: <ul style="list-style-type: none">• eau qui dégoutte• cliquetis des glaçons	On peut entendre un bourdonnement provenant de la vanne d'eau, de l'eau qui dégoutte et le cliquetis des glaçons qui tombent dans le bac.
Bruits de fonctionnement	Le compresseur à rendement élevé et le moteur seront en marche plus longtemps que ceux des anciens modèles.
Bruits d'eau	Durant le cycle de dégivrage, le réfrigérateur ne fonctionnera pas. L'eau qui dégoutte provient de l'accumulation de givre sur le serpentin du congélateur qui fond et s'écoule dans le plateau de dégivrage. Lorsque le réfrigérateur arrête de fonctionner, vous entendrez peut-être un bruit de gargouillement dans la tuyauterie pendant quelques minutes.
Air chaud s'échappant du panneau de ventilation supérieur et de la grille de base	Vous sentirez peut-être de l'air qui s'échappe derrière le panneau de ventilation supérieur et de la grille de base lorsque fonctionnera le réfrigérateur. C'est tout à fait normal.

Conseils pour économiser l'énergie

- Ouvrir les portes le moins souvent possible. Ranger l'aliment de façon à pouvoir le retrouver facilement. Sortir tous les articles dont on a besoin en même temps. Fermer la porte dès que les aliments sont sortis.
- Remplir le réfrigérateur, mais ne pas le surcharger pour ne pas bloquer la circulation d'air.
- Régler la température du réfrigérateur et du congélateur selon l'usage qui en est fait - la crème glacée devrait être ferme et les boissons comme vous les aimez. Éviter de régler le thermostat du réfrigérateur et du congélateur à des températures plus froides que nécessaire.

Guide de rangement des aliments

Aliments frais

Légumes

- Feuillus
Retirer l'emballage commercial et enlever les parties abîmées ou décolorées. Laver les légumes à l'eau froide et les égoutter. Les insérer dans un sac ou un contenant en plastique et les ranger dans le bac à légumes ou le bac range-tout, réglé à haute humidité.
- Avec pelures
Les mettre dans des sacs ou dans des contenants en plastique et les ranger dans le bac à légumes ou le bac range-tout, réglé à basse humidité.

Fruits

- Baies
Mettre de côté les baies abîmées. Laver les baies juste avant de les servir. Les laisser dans leur emballage d'origine et ranger dans le bac à légumes ou le bac range-tout, réglé à basse humidité.
- Autres
Mettre de côté les fruits abîmés avant le rangement. Laver les fruits et les laisser sécher. Les placer dans un sac en plastique perforé ou dans un contenant en plastique couvert et ranger dans le bac à légumes ou le bac range-tout, réglé à basse humidité.

Viandes

- Viandes salées ou fumées et charcuterie
Ranger dans le bac à viande dans leur emballage original jusqu'au moment de l'utilisation. Une fois l'emballage ouvert, envelopper la viande de nouveau hermétiquement dans une pellicule en plastique ou dans du papier aluminium; ranger dans le bac à viande.
- Viande et volaille fraîches préconditionnées
Conserver dans le bac à viande, dans leur emballage d'origine.
- Viande fraîche, non préconditionnée
Retirer l'emballage commercial. Envelopper dans du papier aluminium et ranger dans le bac à viande.
- Volaille fraîche, non préconditionnée
Retirer l'emballage commercial. Envelopper dans du papier aluminium et ranger dans le bac à viande.
- Viande et volaille cuites
Emballer ou couvrir d'une pellicule de plastique ou de papier aluminium. Réfrigérer immédiatement.
- Poisson frais et fruits de mer
Conserver dans le bac à viande, dans un sac en plastique ou dans un contenant hermétiquement fermé. Pour de meilleurs résultats, régler le thermostat du bac à viande à la température la plus froide.

Produits laitiers

- Oeufs
Conserver dans leur emballage d'origine ou dans l'oeufrier du réfrigérateur.
- Lait
Conserver dans le contenant d'origine sur une clayette du réfrigérateur.
- Beurre ou margarine
Conserver dans le compartiment range-tout ou sur une clayette du réfrigérateur jusqu'au moment de l'utilisation. Après l'utilisation, ranger dans un contenant couvert ou dans le beurrier dans le compartiment range-tout.
- Fromage
Conserver dans l'emballage d'origine jusqu'au moment de l'utilisation. Une fois l'emballage ouvert, envelopper à nouveau hermétiquement dans une pellicule en plastique ou dans du papier aluminium, et ranger dans le compartiment range-tout ou sur une clayette du réfrigérateur.

Restes

Couvrir les restes avec une pellicule en plastique ou du papier aluminium ou les placer dans des contenants en plastique hermétiquement fermés.

Condiments

Ranger les bocaux et les bouteilles de petit format sur les balconnets.

Boissons

Essuyer les bouteilles et les canettes. Ranger sur les balconnets ou sur les clayettes du réfrigérateur. Les balconnets la contre-porte peuvent recevoir des contenants de deux litres.

Tableau pour le rangement au réfrigérateur des viandes fraîches et salées*

Type	Durée de rangement approximative (en jours)
Poulet	1 à 2
Boeuf haché	1 à 2
Viandes variées	1 à 2
Biftecks et rôtis	3 à 5
Charcuterie	3 à 5
Bacon	5 à 7
Viandes salées	7 à 10

*Si les viandes doivent être conservées plus longtemps que les périodes indiquées, il est recommandé de les congeler.

Aliments congelés

Aliments surgelés pré-emballés

Ranger dans l'emballage d'origine sur le balconnet du congélateur ou dans le congélateur même.

Viandes/Volaille

Couper l'excédent de gras et désosser, si nécessaire. Les viandes et la volaille ne devraient pas être salées. Emballer hermétiquement dans du papier aluminium extra fort, une pellicule recouverte de plastique ou des emballages en plastique imperméable Saran. Faire sortir autant d'air que possible. Étiqueter et dater la viande ou la volaille. Une fois la viande décongelée, ne pas la recongeler.

Crème glacée

Ranger dans son emballage d'origine. Une fois que l'emballage est ouvert, couvrir la surface de la crème glacée de papier ciré ou aluminium afin d'empêcher la formation de cristaux de glace.

Jus congelés

Conserver dans l'emballage d'origine sur le balconnet du congélateur ou dans le congélateur même.

Tableau pour le rangement des aliments congelés

Les périodes de rangement indiquées ci-dessous sont à titre de guide seulement. Afin de profiter pleinement de l'espace du congélateur, ne conserver l'aliment congelé que pour de courtes périodes. Les utiliser et les remplacer au besoin.

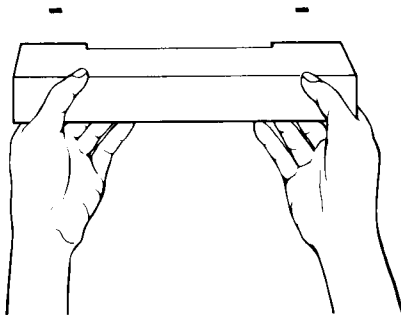
Aliment	Durée de rangement approximative (en mois)
Pain	2
Aliments cuits	2 à 3
Poisson et fruits de mer	
Frais	6
Congelés commercialement	1 à 3
Fruits	6
Crème glacée	1
Jus concentrés	4 à 6
Viande	
Bacon	4 semaines ou moins
Rôti ou côtelettes de porc	3 à 4
Saucisses	1 à 2
Rôtis de boeuf, veau, agneau	6
Viande hachée	1 à 2
Volaille	3 à 4
Légumes	6

Une gracieuseté de National Livestock & Meat Board et de U.S.D.A.

Remplacement des ampoules

AVERTISSEMENT: Avant de remplacer une ampoule, couper l'alimentation électrique principale qui fait fonctionner le réfrigérateur à l'aide de l'interrupteur situé derrière le panneau de ventilation supérieur. Si l'électricité n'est pas coupée, il y a risque de chocs électriques et de blessures.

Les ampoules derrière les thermostats du réfrigérateur et du congélateur:



POUR RETIRER:

1. Prendre à deux mains le protège-ampoule en plastique et le presser (de l'avant vers l'arrière) pour dégager les pattes.
2. Tirer vers le bas et dans la direction opposée des thermostats.
3. Retirer l'ampoule.

POUR REPLACER:

1. Replacer les ampoules par des ampoules d'éclairage tubulaires incandescentes de 25 watts à culot moyen.
2. Insérer les pattes du protège-ampoule en plastique dans les fentes.
3. Pousser pour faire tomber en place.

Ampoule sous le bac à glaçons:

1. Retirer le protège-ampoule.
2. Retirer l'ampoule et la remplacer par une ampoule d'éclairage tubulaire incandescente de 25 watts à culot moyen.
3. Remettre le protège-ampoule en place.

Ampoule derrière le bac à légumes:

1. Retirer le bac à légumes et le bac range-tout (voir directives en page 9).
2. Retirer le couvercle en verre du bac à légumes et du bac range-tout (voir directives en page 9).
3. Tirer le bas du protège-ampoule en direction opposée au mur arrière du réfrigérateur. Retirer le couvercle.
4. Retirer et remplacer l'ampoule par une ampoule d'éclairage tubulaire incandescente de 25 watts à culot moyen.
5. Replacer le protège-ampoule en suivant les étapes dans l'ordre inverse.

Ampoule du distributeur:

1. Retirer l'ampoule du plafond, à l'intérieur, près du distributeur.
2. Replacer l'ampoule par une ampoule de 10 watts à haut rendement.

IMPORTANT: S'assurer que l'interrupteur est remis en position EN MARCHE après que les ampoules ont été remplacées.

Nettoyage du réfrigérateur congélateur

Les deux compartiments de l'appareil, le réfrigérateur et le congélateur, se dégivrent automatiquement. Cependant, un nettoyage mensuel des deux compartiments est recommandé, afin d'aider à prévenir les diverses odeurs. Tout produit renversé doit être essuyé immédiatement.

Pour procéder au nettoyage du réfrigérateur, il faut d'abord couper le courant à l'aide de l'interrupteur situé derrière le panneau de ventilation supérieur; retirer ensuite toutes les pièces amovibles et les nettoyer suivant les directives fournies ci-dessous. S'assurer que l'interrupteur est en position EN MARCHE à la fin du nettoyage.

Tableau pour le nettoyage

Parties	Utiliser	Nettoyage
Parties amovibles (clayettes, bac à viande, bac à légumes, bac rangement, etc.)	<ul style="list-style-type: none">• Éponge ou linge• Détergent doux et eau tiède.	<ul style="list-style-type: none">• Laver avec de l'eau tiède et un détergent doux.• Bien rincer et sécher.
Parois intérieures	<ul style="list-style-type: none">• Éponge, linge doux ou essuie-tout• Détergent doux• Eau tiède	<ul style="list-style-type: none">• Laver avec de l'eau tiède et un détergent doux.• Bien rincer et sécher.
Les garnitures et joints de porte	<ul style="list-style-type: none">• Éponge, linge doux ou essuie-tout• Détergent doux• Eau tiède	<ul style="list-style-type: none">• Laver avec de l'eau tiède et un détergent doux.• Bien rincer et sécher.• Ne pas utiliser de cire nettoyante, de détergent concentré, d'agent de blanchiment ou de nettoyeur contenant du pétrole ou de l'alcool sur les surfaces en plastique.
Grille de base	<ul style="list-style-type: none">• Aspirateur muni d'une brosse	<ul style="list-style-type: none">• Passer la brosse de l'aspirateur sur la grille
Plateau de dégivrage	<ul style="list-style-type: none">• Éponge ou linge• Détergent doux• Eau tiède	<p>AVERTISSEMENT: Les tubes du système de réfrigération sont situés au-dessus du plateau de dégivrage et peuvent parfois être chauds. Retirer le plateau de dégivrage avec soin.</p> <ul style="list-style-type: none">• Placer l'interrupteur en position ARRÊT (voir page 11).• Retirer la grille de base (voir page 12).• Retirer le plateau de dégivrage (voir page 12).• Laver le plateau de dégivrage avec de l'eau tiède et un détergent doux.• Bien rincer et sécher.• Replacer le plateau de dégivrage.• Replacer la grille de base.• Placer l'interrupteur en position EN MARCHE.
Panneaux		<ul style="list-style-type: none">• Nettoyer de la même façon que des armoires de cuisine.
Serpentin du condenseur	<ul style="list-style-type: none">• Aspirateur muni d'un accessoire long et étroit	<ul style="list-style-type: none">• Devrait être nettoyé périodiquement.• Retirer le panneau de ventilation supérieur (voir page 11) pour avoir accès au serpentin du condenseur.• Nettoyer à l'aide de l'accessoire étroit de l'aspirateur.• Replacer le panneau de ventilation supérieur.

Précautions à prendre pour les vacances ou le déménagement

Vacances de courte durée

Nul besoin de débrancher le réfrigérateur si les vacances durent moins de quatre semaines. Consommer tous les aliments périssables et congeler les autres. Fermer la machine à glaçons automatique et le conduit d'alimentation en eau relié à celle-ci. Vider le bac à glaçons.

Vacances de longue durée

Sortir tous les aliments si les vacances durent plus d'un mois. Fermer le conduit d'alimentation en eau relié à la machine à glaçons automatique au moins un jour avant le départ. Dès que les derniers glaçons sont tombés, fermer la machine à glaçons. Arrêter le réfrigérateur-congélateur (voir page 6).

Déménagement

Si le réfrigérateur-congélateur doit être déménagé, communiquez avec le dépositaire chez qui vous avez acheté le réfrigérateur-congélateur ou au bureau de service d'entretien autorisé KitchenAid de votre région.

Pour remettre le réfrigérateur en marche, voir la section Comment utiliser le réfrigérateur-congélateur en page 6.

Service après-vente

1. Si le réfrigérateur cesse de fonctionner, vérifier les points suivants avant d'appeler le dépositaire. Il est parfois possible d'éviter ainsi les frais d'un appel de service.

Si le réfrigérateur ne fonctionne pas:

- Vérifier si l'interrupteur est en position ARRÊT.
- Vérifier si un fusible a sauté ou si le disjoncteur s'est déclenché.
- Vérifier si le thermostat du congélateur est réglé à ARRÊT.

Si votre appareil fait des bruits inhabituels:

- Les nouvelles caractéristiques de votre réfrigérateur produisent des bruits inhabituels. Il est possible que les bruits suivants se fassent entendre: arrivée de l'air en provenance des ventilateurs, déclic du minuteur pour le cycle de dégivrage ou eau de dégivrage s'évacuant dans le plateau de dégivrage. Voir page 16.

La machine à glaçons ne fonctionne pas:

- Le congélateur n'a peut-être pas eu le temps de se refroidir. Le levier n'est peut-être pas baissé à la position EN MARCHE.
- La vanne d'eau est peut-être fermée. La machine à glaçons automatique ne reçoit peut-être pas d'eau.

Les ampoules ne fonctionnent pas:

- Vérifier si l'interrupteur est en position ARRÊT.
- Le fusible a peut-être sauté ou le disjoncteur s'est déclenché.
- Vérifier si l'ampoule est brûlée. Pour changer une ampoule, voir les directives en page 19.

Le moteur semble fonctionner trop longtemps:

- Il est normal que le moteur fonctionne longtemps par temps très chaud ou lorsque l'appareil est situé dans une pièce chaude, ou encore lorsqu'il contient une grande quantité d'aliments ou que les portes ont été ouvertes très souvent.
2. Si la cause du problème n'est pas mentionnée ci-dessus:
 - Appelez votre dépositaire ou le bureau de service qu'il vous recommande.
 - Tous les appels de service devront être traités par le dépositaire régional qui vous a vendu l'appareil, ou par un bureau de service autorisé par KitchenAid.
 3. Si le nom d'un bureau de service autorisé par KitchenAid de votre région ne peut être obtenu, il faudra consulter les Pages Jaunes de n'importe quel annuaire de téléphone de la région métropolitaine, sous la rubrique "Lave-vaisselle." KitchenAid est listé sous cette rubrique.
 - S'il faut appeler ou écrire, prière de fournir: les numéros de modèle et de série, la date d'achat et une description complète du problème. Adresser toute correspondance à:
Service à la clientèle
KitchenAid Canada, Inc.
1901 Minnesota Court
Mississauga (Ontario)
L5N 3A7
Téléphone: (416) 821-6606

KitchenAid^{MC}

Garantie du réfrigérateur-congélateur

Durée de la garantie	KitchenAid paiera:	KitchenAid ne paiera pas:
GARANTIE COMPLÈTE D'UN AN À COMPTER DE LA DATE D'INSTALLATION	Le remplacement de pièces et le travail de réparation de défauts du matériel ou de fabrication. Seul un bureau de service autorisé par KitchenAid peut effectuer les réparations.	A. Les appels de service pour: 1. Rectifier l'installation du réfrigérateur. 2. Donner des instructions d'utilisation du réfrigérateur. 3. Remplacer des fusibles ou rectifier la canalisation électrique du domicile. 4. Rectifier la plomberie du domicile.
GARANTIE COMPLÈTE DE CINQ ANS À COMPTER DE LA DATE D'INSTALLATION	Le remplacement de pièces et le travail de réparation de défauts du matériel ou de fabrication du système scellé de réfrigération. Ces pièces sont: 1. Compresseur 2. Évaporateur 3. Condenseur 4. Déshydrateur 5. Tuyaux de raccord Le service doit être effectué par un bureau de service autorisé par KitchenAid.	B. Les réparations de dommages causés par un usage autre qu'un usage domestique normal du réfrigérateur. C. Des dommages causés par un accident, des modifications, un mauvais usage, un abus, une mauvaise installation ou une installation faite à l'encontre des règles locales en matière d'électricité ou de plomberie.
GARANTIE COMPLÈTE DE CINQ ANS À COMPTER DE LA DATE D'INSTALLATION	Le remplacement de pièces ou le travail de réparation de défauts du matériel ou de fabrication de la machine à glaçons automatique. Le service doit être effectué par un bureau de service autorisé par KitchenAid.	D. La perte d'aliments due à une panne de l'appareil. E. Le remplacement de pièces ou les coûts de la main-d'oeuvre pour des appareils utilisés en dehors du Canada.
GARANTIE LIMITÉE DE DIX ANS GARANTIE COMPLÈTE DURANT LA PREMIÈRE ANNÉE ET LIMITÉE DE LA DEUXIÈME À LA DIXIÈME ANNÉE À COMPTER DE LA DATE D'INSTALLATION	Le remplacement de pièces dans les cas de défauts du matériel ou de fabrication du système scellé de réfrigération. Ces pièces sont: 1. Compresseur 2. Évaporateur 3. Condenseur 4. Déshydrateur 5. Tuyaux de raccord	F. La cueillette et la livraison de l'appareil. Ce produit est conçu pour être réparé à domicile. G. Tout coût de main-d'oeuvre pendant la garantie limitée.

KITCHENAID CANADA, INC. N'ASSUME PAS DE RESPONSABILITÉ POUR LES DOMMAGES FORTUITS OU INDIRECTS.

Cette garantie vous donne des droits légaux spécifiques. Vous avez peut-être d'autres droits qui varient d'une province à l'autre.

POUR LES APPELS DE SERVICE

- Téléphonnez à votre dépositaire ou au service d'entretien qu'il vous recommande.
- Tous les appels de service devront être traités par le dépositaire régional qui vous a vendu l'appareil ou par un bureau de service autorisé par KitchenAid. Si le service fourni par le dépositaire régional s'avère insatisfaisant, communiquez avec le Service à la clientèle, KitchenAid Canada, Inc., 1901 Minnesota Court, Mississauga (Ontario) L5N 3A7, Téléphone: (416) 821-6606

KitchenAid Canada, Inc.
Mississauga (Ontario) L5N 3A7

Pièce n° 1113413

© 1988 KitchenAid Canada, Inc.